

# Patents, Designs, and Trade Marks

## SUPPLEMENT

TO THE

# NEW ZEALAND GAZETTE

OF

THURSDAY, OCTOBER 7, 1909.

Published by Authority.

WELLINGTON, THURSDAY, OCTOBER 7, 1909.

### CONTENTS.

	Page
Complete Specifications and Drawings open to Inspection .. .. .	2561
International and Intercolonial Arrangements for the Mutual Protection of Patents and Trade Marks ..	2562
Patent Publications in New Zealand .. .. .	2562
Books and Documents open to Inspection at Patent Office, Wellington .. .. .	2562
Books, Documents, &c., open to Inspection at Local Patent Offices, Auckland, Christchurch, and Dunedin	2563
Specifications of Inventions open to Inspection ..	2563
Official Publications .. .. .	2563
Local Patent Offices .. .. .	2563
Office for Registration of Copyright .. .. .	2563
Notice <i>re</i> Holiday .. .. .	2563
Applications for Letters Patent filed .. .. .	2564
Complete Specifications filed after Provisionals ..	2564
Complete Specifications accepted .. .. .	2565
Provisional Specifications accepted .. .. .	2570
Letters Patent sealed .. .. .	2570
Letters Patent on which Fees have been paid ..	2570
Subsequent Proprietors of Letters Patent registered	2570
Request for Correction of Clerical Error allowed ..	2571
Applications for Letters Patent abandoned ..	2571
Application for Letters Patent void .. .. .	2571
Applications for Letters Patent lapsed .. .. .	2571
Letters Patent void .. .. .	2571
Designs registered .. .. .	2571
Designs expired .. .. .	2571
Applications for Trade Marks filed .. .. .	2571
Applications for Registration of Trade Marks ..	2572
Trade Marks registered .. .. .	2576
Trade Mark Renewal Fees paid .. .. .	2576
Trade Marks removed from the Register .. ..	2576
Trade Mark Registration cancelled .. .. .	2576
Request for Amendment of Trade Mark Application	2576

Complete Specifications and Drawings open to Inspection at Auckland, Dunedin, and Christchurch.

COPIES of the complete specifications and drawings advertised in the *Gazette* will be sent for public inspection to the

#### LOCAL PATENT OFFICES

IN THE

#### SUPREME COURT BUILDINGS

in the following towns on or about the dates mentioned:—

#### Auckland.

*Gazette* No. 85, of the 7th October. 14th October to 28th October, inclusive.

#### Dunedin.

*Gazette* No. 85, of the 7th October. 3rd November to 17th November, inclusive.

*Gazette* No. 78, of the 23rd September. 20th October to 3rd November, inclusive.

*Gazette* No. 75, of the 9th September. 5th October to 19th October, inclusive.

#### Christchurch.

*Gazette* No. 85, of the 7th October. 22nd November to 6th December, inclusive.

*Gazette* No. 78, of the 23rd September. 8th November to 22nd November, inclusive.

*Gazette* No. 75, of the 9th September. 23rd October to 6th November, inclusive.

*Gazette* No. 71, of the 26th August. 9th October to 23rd October, inclusive.

[NOTE.—The office can take no responsibility if from any cause the specifications are not so available.]

**International and Intercolonial Arrangements for the Mutual Protection of Patents and Trade Marks.**

**INTERNATIONAL CONVENTION.**

**T**HE following countries now belong to the Convention:—

Australia.	Italy.
Austria-Hungary.	Japan.
Belgium.	Mexico.
Brazil.	New Zealand.
Ceylon.	Norway.
Cuba.	Portugal, with the Azores and Madeira.
Denmark and Faroe Islands.	Servia.
Dominican Republic.	Spain.
France, with Algeria and Colonies.	Sweden.
Germany.	Switzerland.
Great Britain.	Tunis.
Holland, with East Indian Colonies, Curaçoa, and Surinam.*	United States of America.

\* Trade marks only.

Separate arrangements have been made between Australia and New Zealand.

Particulars of the Convention and of such arrangements may be seen in the following *Gazettes*:—

Notification of adhesion of New Zealand to the Convention, with text thereof (in English), in the *Gazette* of 26th November, 1891; notification of adherence of New Zealand to the Additional Act of the Convention, with text (in English), of such Additional Act, in Patents Supplement to *Gazette* No. 101, of the 16th November, 1905; Order in Council applying section 103 of the Imperial Act to New Zealand, in *Gazette* No. 27, of the 15th May, 1890; Orders in Council containing arrangements between Australia and New Zealand, in Patent Supplements to the *Gazette* Nos. 22 of the 9th March, 1905, and 38 of the 20th April, 1905.

**Patent Publications in New Zealand.**

**T**HE following publications relating to Patents for inventions, &c., are open to inspection in the Dominion:—

**WELLINGTON.—PATENT OFFICE LIBRARY.**

*United Kingdom.*

The full text of the specifications and complete drawings of inventions patented from the year 1617 up to the 10th June, 1909.

Classified illustrated abridgments of inventions from 1855 to 1906 and part of 1907.

Illustrated Official Journal, containing lists of recent applications, abridgments of inventions for which patents have been lately granted, patents void, &c., to August, 1909.

Index of Applicants.

Subject-matter Index.

Commissioner of Patents Journal, &c. (a).

Trade Marks Journal to July, 1909.

*Canada.*

Patent Office Record (containing illustrated abridgments of inventions, &c.) to April, 1909.

*Australia.*

The full text of the specifications and complete drawings in respect of applications accepted from the 11th January, 1906, to the 27th April, 1909, inclusive.

The Official Journal of Patents of the Australian Commonwealth (containing lists of applications for letters patent, abridgments of complete specifications accepted, &c.).

The Australian Official Journal of Trade Marks (containing lists of applications for registration of trade marks, &c.).

Specifications, drawings, abridgments, and indexes of Victoria, New South Wales, Queensland, and South Australia (b).

*United States.*

The full text of the specifications and drawings for the years 1905, 1906, and part of 1907.

The Official Gazette of the United States Patent Office (containing illustrated abridgments of specifications, &c.) to August, 1909.

*Mexico.*

The Official Gazette of the Patent and Trade Mark Office.

(a) Discontinued.

(b) In arrear. Not now being printed.

*General.*

La Propriété Industrielle (the official organ of the International Bureau of the Union for the Protection of Industrial Property).

Patent laws of the world.

Patent and Trade Mark Review.

Text-books and handbooks on patents and trade marks.

**AUCKLAND.—PUBLIC LIBRARY**

*United Kingdom.*

Classified abridgments of inventions from 1855 to 1904.  
Illustrated Official Journal from 1897 to date.

*Canada.*

Patent Office Record (containing illustrated abridgments of inventions, &c.) from 1897 to date.

*Australia.*

The Official Journal of Patents from 1905 to date.

*United States.*

The Official Gazette of the United States Patent Office (containing illustrated abridgments of specifications, &c.) from 1885 to 1887 and 1890 to 1895.

**CHRISTCHURCH.—PUBLIC LIBRARY.**

*United Kingdom.*

Classified abridgments of inventions from 1855 to 1904.  
Illustrated Official Journal from October, 1905, to date.

*Canada.*

Patent Office Record (containing illustrated abridgments of inventions, &c.) from 1897 to date.

*Australia.*

The Official Journal of Patents from 1905 to date.

**DUNEDIN.—PUBLIC LIBRARY.**

*United Kingdom.*

Classified abridgments of inventions from 1855 to 1904.  
Illustrated Official Journal from October, 1905, to date.

*Australia.*

The Official Journal of Patents from 1905 to date.

**Books and Documents open to Inspection at Patent Office, Wellington.**

**T**HE following documents and books are open to public inspection at the Patent Office:—

**PATENTS.**

(Fee for each search or inspection, not exceeding one hour, 1s.)

1. The files relating to all applications for letters patent in respect of which complete specifications have been accepted.
2. Classified copies of specifications and drawings, with index and key (a).
3. Register of Applications for Letters Patent.
4. Register of Patents.
5. Register of Subsequent Proprietors of Letters Patent (b).
6. Index of Patentees (c).
7. Index of Proprietors of Letters Patent granted prior to 1890 (d).
8. Index of Specifications (e).

**DESIGNS.**

(Search fee, 1s. each quarter of an hour.)

1. Register of Designs, with Index of Names of Proprietors.
2. Classified Representations of Designs in respect of which Copyright has expired.
3. Index of Designs.

(a) Key is in card index.

(b) This Register contains only names of subsequent proprietors of letters patent granted prior to 1st January, 1890; since that date they appear in Register of Patents.

(c) Includes all names of applicants, &c., and consists of four volumes to 4th November, 1908, and card index since that date. A separate card index is kept for current quarter.

(d) The names of proprietors of subsequent letters patent appear in the Index of Patentees.

(e) Contains classified abridgments of specifications from 1861, with extracts from drawings from July, 1904.

## TRADE MARKS.

(Search fee, 1s. each quarter of an hour.)

1. The files relating to all applications for registration of trade marks.
2. Register of Applications for Registration of Trade Marks.
3. Register of Trade Marks.
4. Index of Applicants for Registration of Trade Marks<sup>(a)</sup>.
5. Index of Trade Marks.
6. Classified Representations of Trade Marks, with indexes.

## MISCELLANEOUS.

Register of Patent Agents.

## FORMS AND PUBLICATIONS.

The following forms, &c., may be had on application at the Patent Office, Wellington, or at any of the local Patent Offices named below:—

- Application for letters patent.
- Provisional specification.
- Complete specification and copy thereof.
- Application for registration of design.
- Application for registration of trade mark.
- Applications for extension of time.
- Requests by subsequent proprietor to enter name on Register of Patents and Trade Marks.
- Printed sheets of information as to fees and procedure to obtain letters patent and to register a trade mark<sup>(b)</sup>.
- Pamphlet containing Act and Regulations (price 1s.).

<sup>(a)</sup> Names of applicants for registration and proprietors of trade marks are indexed at the beginning of the Registers up to 31st December, 1899; in separate volume up to 5th September, 1904; and since the latter date in card index.

<sup>(b)</sup> May also be obtained at any local Patent Office or money-order office.

**Books, Documents, &c., open to Inspection at Local Patent Offices, Auckland, Christchurch, and Dunedin.**

**BOOKS, documents, &c., open to inspection, and forms, &c., procurable, at the local Patent Offices at Auckland, Christchurch, and Dunedin.**

## BOOKS, ETC., OPEN TO INSPECTION.

Complete specifications and drawings of inventions. (Note.—One set of the specifications and drawings is sent, on acceptance, to Auckland, Christchurch, and Dunedin in succession, remaining fourteen days at each place, as advertised in the *Gazette*. Search fee, 1s. per hour.)

Classified abridgments of inventions from 1st January, 1908, to 31st March, 1909. (Search fee, 1s.)

Weekly lists of applications for patents up to and including those filed on Friday may be seen on the following Monday. (Search fee, 1s.)

Name Index—Patents, 1861–1889. (Search fee, 1s.)

Annual Reports, containing alphabetical lists of applicants and subject-matter indexes since 1890.

Patents Supplement to the *New Zealand Gazette*.

Patents, Designs, and Trade Marks Act and Rules.

Acts and Rules of other countries.

Australian Official Journal of Patents.

## FORMS, ETC., OBTAINABLE.

The following forms, &c., may be obtained on application:—

- Applications for letters patent.
- Provisional specification.
- Complete specification, and copy thereof.
- Application for registration of design.
- Application for registration of trade mark.
- Applications for extension of time.
- Requests by subsequent proprietor to enter name on Register of Patents and Trade Marks.
- Printed sheets of information as to fees and procedure to obtain letters patent and to register designs and trade marks.
- Act and Regulations. (Price, 1s. 6d.)

NOTE.—The classified abridgments of the specifications and drawings of the United Kingdom may be seen in the Public Library of each of the above three principal towns. Other publications will be placed on file as soon as they are available.

## Specifications of Inventions Open to Inspection.

COMPLETE specifications and drawings of inventions may be seen on acceptance at the Patent Office, Wellington, and are also available for inspection for a fortnight at the local Patent Offices at Auckland, Christchurch, and Dunedin.

Lists giving names of applicants and titles of inventions may be obtained for posting in factories, libraries, technical schools, or other places where they are likely to be seen by persons interested, on application to the Registrar of Patents, Wellington.

## Official Publications.

THE following publications may be obtained from the Government Printer, Wellington:—

Printed specifications to the end of the year 1879. (Some of these are now out of print.)

Annual lists of letters patent and letters of registration applied for, and particulars of applications lapsed, and patents lapsed, from 1880 to 1893 inclusive. (The lists for the last four of these years are contained in the *Annual Reports of the Registrar*.)

Annual reports of the Registrar, containing alphabetical indexes of applicants for letters patent and of subject-matter of inventions patented from 1894 to 1907 inclusive.

The Patents Supplement to *Gazette* (containing notifications, applications for letters patent, abridged descriptions and drawings of inventions, &c.), published fortnightly.

Name Index of Patents, &c., 1861–1890. (Price, 1s.)

## Local Patent Offices.

LOCAL Patent Offices for the reception of applications, supply of forms, &c., have been established at the following places:—

- Auckland—Supreme Court. (E. W. Cave, agent.)
- Whangarei—Courthouse. (W. J. Reeve, agent.)
- Thames—Courthouse. (J. Jordan, agent.)
- Waihi—Courthouse. (J. McIndoe, agent.)
- Hamilton—Courthouse. (H. J. Dixon, agent.)
- Gisborne—Courthouse. (G. J. A. Johnstone, agent.)
- New Plymouth—Courthouse. (J. Terry, agent.)
- Napier—Courthouse. (A. Trimble, agent.)
- Wanganui—Courthouse. (C. A. Barton, agent.)
- Taihape—Courthouse. (W. Baker, agent.)
- Palmerston North—Courthouse. (C. J. Hewlett, agent.)
- Masterton—Courthouse. (M. Foley, agent.)
- Nelson—Courthouse. (E. C. Kelling, agent.)
- Blenheim—Courthouse. (F. W. Hart, agent.)
- Westport—Courthouse. (O. E. Bowling, agent.)
- Greymouth—Courthouse. (B. Harper, agent.)
- Hokitika—Courthouse. (J. N. Nalder, agent.)
- Christchurch—Supreme Court. (W. W. Samson, agent.)
- Ashburton—Courthouse. (J. Fitzgerald, agent.)
- Timaru—Courthouse. (T. W. Taylor, agent.)
- Oamaru—Courthouse. (A. A. Mair, agent.)
- Dunedin—Supreme Court. (T. E. Roberts, agent.)
- Clyde—Courthouse. (F. T. D. Jeffery, agent.)
- Gore—Courthouse. (G. H. Lang, agent.)
- Queenstown—Courthouse. (A. J. Thompson, agent.)
- Invercargill—Courthouse. (J. R. Colyer, agent.)

## Office for Registration of Copyright.

THE office for the registration of proprietorship of copyright in Fine Arts and Dramatic Works has been transferred to the Patent Office, Magistrate's Court Building, corner of Lambton Quay and Ballance Street, Wellington.

**Government Offices to be closed on 13th October (Labour Day).**

Office of the Minister of Internal Affairs,  
Wellington, 11th September, 1909.

THE Government offices throughout New Zealand will be closed on Wednesday, 13th October, 1909, being Labour Day.

D. BUDDO,  
Minister of Internal Affairs.

## Applications for Letters Patent filed.

LIST of applications for Letters Patent filed. (Where a complete specification accompanies an application an asterisk is affixed; in all other cases a provisional specification has been lodged. In all cases where the applicant is not the inventor the name of the latter appears in italics after the title. † Denotes an application under the International and Intercolonial Arrangements.)

- No. 26615.—15th September.—B. F. Cranwell, Henderson, N.Z.  
Sprayer-tank.
- No. 26616.—18th September.—Young and Co., Auckland, N.Z.  
Aerated-liquid dispenser.
- No. 26617.—18th September.—A. Brown, Milton, N.Z.  
Egg-tester.\*
- No. 26618.—18th September.—T. S. Philpott, Wellington, N.Z.  
Vote-recorder.
- No. 26619.—16th September.—J. P. Maloney, Fortrose, N.Z.  
Wiring and stapling boxes.
- No. 26620.—20th September.—E. C. Isaac, Wellington, N.Z.  
Sealing mail-bags.
- No. 26621.—18th September.—M. Arnold, Dunedin, N.Z.  
Auto-strainer.
- No. 26622.—21st September.—J. Martin, Yarraville, Vic.  
Copper furnace.
- No. 26623.—21st September.—United Shoes Machinery Company, Paterson, U.S.A.  
Shoe-machine. (*K. Engel.*)
- No. 26624.—21st September.—United Shoes Machinery Company, Paterson, U.S.A.  
Pegging-machine.\* (*J. F. Davey.*)
- No. 26625.—21st September.—M. Moloney, Christchurch, N.Z.  
Telephone-transmitter.\*
- No. 26626.—20th September.—R. A. Walker and N. C. Christie, Invercargill, N.Z.  
Railway-tablet system.
- No. 26627.—22nd September.—D. Amey, Sale, Vic.  
Reversible plough.
- No. 26628.—22nd September.—N. D. Krassinikoff, St. Petersburg, Russia.  
Propelling-apparatus for ships.\*
- No. 26629.—22nd September.—C. Craig, Sydenham, N.Z.  
Tailors' chalk-sharpener.
- No. 26630.—22nd September.—J. S. Forbes, Philadelphia, U.S.A.  
Heating and sterilising liquids.\*
- No. 26631.—22nd September.—J. Gill, Edinburgh, Scot.  
Briquetting broken coke, &c.\*
- No. 26632.—22nd September.—J. T. Hunter, Wellington, N.Z.  
Casting stereotype printing-plates.\* (*Printing Machinery Company, Limited—H. A. W. Wood.*)
- No. 26633.—22nd September.—W. O'Brien, Auckland, N.Z.  
Ice-chest.\*
- No. 26634.—22nd September.—C. E. Rae, Auckland, N.Z.  
Camp-stove.
- No. 26635.—22nd September.—F. B. K. McArthur, Auckland, N.Z.  
Cradle and perambulator.
- No. 26636.—21st September.—C. H. Whatman, Fairlie, N.Z.  
Controlling guard-rail on tram-cars.
- No. 26637.—23rd September.—J. Low, Palmerston North, N.Z.  
Flax-stripper.
- No. 26638.—23rd September.—F. S. Cooze, Wellington, N.Z.  
Letter-clip.
- No. 26639.—23rd September.—J. H. Bettany, Hataitai, N.Z.  
Butter-cooler. (*R. O. S. Bettany.*)
- No. 26640.—23rd September.—C. M. Browne, Middle Park, Vic.  
Aerating and bottling machine.\*
- No. 26641.—21st September.—Yack Son, Dunedin, N.Z.  
Ironing-machine.
- No. 26642.—21st September.—P. S. O'Neill and A. H. Wilson, Kokiri, N.Z.  
Aeroplane.
- No. 26643.—24th September.—J. J. Blockley, Palmerston North, N.Z.  
Flushing-apparatus.

- No. 26644.—25th September.—C. O. Bastian, London, Eng.  
Transforming electrical energy into heat energy.\*
- No. 26645.—28th September.—J. S. Baskett, Te Aroha, N.Z.  
Bottom for kettles, &c.
- No. 26646.—28th September.—J. S. Tayler, Beechworth, Vic.  
Separating free gold from battery-sands.
- No. 26647.—28th September.—J. T. Hunter, Wellington, N.Z.  
Smoke-box for boilers.\* (*R. F. Thompson.*)
- No. 26648.—28th September.—F. C. W. Timm, Hamburg, Ger.  
Production of metals.\*
- No. 26649.—28th September.—J. Meszaros, London, Eng.  
Filament electric lamps.\*
- No. 26650.—1st October, 1908.†—S. J. Phillips, Glencoe West, S.A.  
Cutter and cauteriser.\*
- No. 26651.—28th September.—C. A. Parsons, Newcastle-on-Tyne, Eng.  
Turbine.\*
- No. 26652.—28th September.—J. F. Jeune, Gisborne, N.Z.  
Animal-cover.\*
- No. 26653.—28th September.—W. Reece, Christchurch, N.Z.  
Composition for floors of buildings. (*R. Stein.*)
- No. 26654.—27th September.—J. S. Dawes, Aramoho, N.Z.  
Valve for internal-combustion engine.
- No. 26655.—27th September.—D. L. Cochran, Waikumete, N.Z.  
Reinforced-concrete walls.
- No. 26656.—27th September.—R. W. Millar and H. B. Wade, Dunedin, N.Z.  
Milking-apparatus.\*
- No. 26657.—27th September.—J. Kelly, Invercargill, N.Z.  
Time-to-rise indicator.
- No. 26658.—29th September.—W. J. Jupp, Wellington, N.Z.  
Billiard-dining-table adjuster.\*
- No. 26659.—29th September.—C. F. Lungley, Melbourne, Vic.  
Illuminating device.
- No. 26660.—29th September.—C. E. Gane, Normanby, N.Z.  
Milking-machine.
- No. 26661.—29th September.—J. Draper, Whangarei, N.Z.  
Building-wall construction.
- No. 26662.—29th September.—W. G. Bae, Melbourne, Vic.  
Lamp-attachment.
- No. 26663.—29th September.—R. Reyburn, Warwick, Q.  
Seed and fertiliser attachment.
- No. 26664.—29th September.—G. Hine and J. Glassop, Culcairn, N.S.W.  
Collapsible crate.\*
- No. 26665.—29th September.—H. Stocks, North Richmond, Vic.  
Wheel-lock.
- No. 26666.—27th September.—S. D. McMiken, Komata, N.Z.  
Ore-treatment.
- No. 26667.—29th September.—L. M. Phillips, Auckland, N.Z.  
Hat-pin.
- No. 26668.—29th September.—C. J. H. Thomson, Milton, N.Z.  
Wet scutcher.
- No. 26669.—29th September.—C. J. H. Thomson, Milton, N.Z.  
Dry scutcher.

## Complete Specifications filed after Provisionals.

LIST of complete specifications filed after provisional specifications, from the 18th September to the 1st October, 1909, inclusive:—

- No. 25260.—M. Clayton and F. Hitchcock, cooler and aerator.
- No. 25379.—W. F. Dugins, boot, &c., fastener.
- No. 25416.—United Shoe Machinery Company, boot and shoe machine. (*K. Engel and L. M. Brown.*)
- No. 25417.—United Shoe Machinery Company, boot-sole-trimming machine. (*W. G. Eaton.*)
- No. 25938.—H. G. Wells and A. Anderson, jute-bagging manufacture.
- No. 26348.—E. Turpin, sharpening chaffcutter-knives.
- No. 26359.—J. Bate, brushing and drying flax-fibre.

**Notice of Acceptance of Complete Specifications.**

Patent Office,  
Wellington, 6th October, 1909.

COMPLETE specifications relating to the undermentioned applications for Letters Patent have been accepted, and are open to public inspection at this office. Any person may, at any time within two months from the date of this *Gazette*, give me notice in writing of opposition to the grant of any such patent. Such notice must set forth the particular grounds of objection, and be in duplicate. A fee of 10s. is payable thereon.

The copies of claims and extracts from the specifications and drawings are merely intended to give some further indication of the invention than is disclosed in the title, and the complete specifications and drawings should be referred to for a description of the invention.

No. 24533.—25th July, 1907.—THE MAATSCHAPPIJ TOT VERVAARDIGING VAN SNIJMACHINES VOLGENS "VAN BERKEL'S PATENT" EN VAN ANDERE WERKTUIGEN, of Boezem-singel 56, Rotterdam, in the Kingdom of the Netherlands, Machine-makers (assignees of Arie Roest, of Spuistraat 95, Amsterdam, Holland). An improvement in meat-slicing machines.

*Extract from Specification.*—The device or guard consists simply of a solid bar of metal or other suitable material, which is held in position near the edge of the knife at the back thereof by means of brackets fitted on the machine.

[NOTE.—The above extract from the specification is inserted in place of the claims.]

(Specification, 4s.)

No. 24895.—7th September, 1908.—GEORGE RICHARD ROWE, of 69 Manners Street, Wellington, New Zealand, Orthopaedic Expert, and WILLIAM STENHOUSE, of 69 Manners Street aforesaid, Dental Surgeon. An improved electro-surgical appliance.\*

*Claims.*—(1.) For the purpose indicated, a vibratory coil carried in a recess in a slab of non-conducting material, make-and-break parts connected therewith, and terminals arranged upon opposite extremities of the slab, substantially as specified and illustrated. (2.) A belt of the nature indicated, comprising, in combination, a body-belt, a pocket containing a dry cell, a vibratory coil carried in a recess in a slab of non-conducting material, a switch operable to cut off the current between the said battery and said coil, make-and-break parts connected therewith, terminals arranged upon opposite extremities of the slab, and metallic buttons or poles by means of which electricity is conveyed to the body of the user, substantially as set forth.

(Specification, 4s.)

No. 24960.—23rd September, 1908.—ALBERT EDWARD WOOLLEY, of Auckland, New Zealand, Builder. An improved draught, dust, and rain excluder for doors.\*

*Claims.*—(1.) The improved draught, dust, and rain excluder for doors, consisting of a curved plate pivotally supported within a recess formed along the bottom of the door, and adapted to turn up into such recess or to turn down and engage against the door-sill, in combination with a flat plate extending along the doorway, and a block secured at the hinge end of the doorway, and made of a height slightly above the level of the doorway-plate, and upon which the curved plate is adapted to rest as the door opens and closes, substantially as specified. (2.) The improved draught, dust, and rain excluder for doors, substantially as described and explained, and as illustrated in the drawings.

(Specification, 3s. 3d.)

No. 25058.—13th October, 1908.—FRANK CASTLE, of Auckland, New Zealand, Electrician. Improvements in automatic fire-alarms.\*

*Claim.*—A composition for use in automatic fire-alarms for keeping electric alarm circuits open, consisting of cellulose and camphor mixed together in fixed proportions, varying with the degree of hardness and fusibility required, substantially as specified.

(Specification, 1s. 6d.)

No. 25107.—21st October, 1908.—ERNEST WILLIAM HURSTHOUSE, of Wellington, New Zealand, Mechanical Engineer. Improved lamp-pillar.\*

*Claim.*—A lamp-pillar comprising, in combination, a plurality of tubes spread apart at their base and secured to a metal plate sunk in the ground, a block within the space where the tubes are spread apart, recesses in the block to receive the tubes, plates covering the recesses and tubes, metal bands securing the plates and tubes to the block and binding the tubes together, and a finishing-cap at the top of the tubes, substantially as set forth.

(Specification, 2s. 6d.)

No. 25200.—11th November, 1908.—UNITED SHOE MACHINERY COMPANY, of Paterson, in the State of New Jersey, United States of America, a corporation duly organized under the laws of said State of New Jersey, carrying on business as Shoe-machinery Manufacturers, and having a place of business at 205 Lincoln Street, Boston, Massachusetts, United States of America (assignees of Arthur Bates, of Leicester, England, Engineer). Improvements in or relating to mechanism for resurfacing the beds of presses.\*

*Claims.*—(1.) In a machine of the class described, the combination with a bed, of a presser-member movable thereover into different operative relations thereto, and movable relatively to said bed to exert pressure, and means carried by said member for resurfacing the bed. (2.) In a machine of the class described, the combination with a bed, of a member angularly movable thereover, means carried by said member for resurfacing the bed, and means acting to cause said last-mentioned means to act on different portions of the bed. (3.) In a machine of the class described, the combination with a bed, of a presser-member movable thereover into different operative relations thereto, and movable relatively to said bed to exert pressure, means carried by said member for resurfacing the bed, and reversible means acting to cause said resurfacing means to act on different portions of the bed on successive actuations of said member.

[NOTE.—Here follow eight other claims.]

(Specification, 11s.)

No. 25201.—11th November, 1908.—UNITED SHOE MACHINERY COMPANY, of Paterson, in the State of New Jersey, United States of America, a corporation duly organized under the laws of said State of New Jersey, carrying on business as Shoe-machinery Manufacturers, and having a place of business at 205 Lincoln Street, Boston, Massachusetts, United States of America (assignees of Frank Bycroft Keall, of Leicester, England, Engineer). Improvements in or relating to mechanism for controlling the relative position of a tool and work.\*

*Claims.*—(1.) A machine in which a tool is caused to operate progressively along work, comprising means constructed and arranged to constrain the tool and work to assume successively predetermined relative positions, in combination with mechanism which may be rendered active automatically to correct or vary the effect or operation of said means. (2.) A machine in which a tool is caused to operate progressively along work, comprising means controlled by engagement with the work to swing the work automatically with relation to the tool to maintain at the point of operation a predetermined relative position of work and tool. (3.) A machine in which a tool is caused to operate progressively along work, comprising means for causing the point of operation to follow a path having approximately a predetermined direction with reference to some desired contour, and correcting-means controlled by a pattern surface of a corresponding contour for causing the direction of said path to correspond exactly with said contour.

[NOTE.—Here follow thirty-one other claims.]

(Specification, £1 10s.)

No. 25207.—10th November, 1908.—FREDERICK STUBBS, of Clonbern Road, Remuera, Auckland, New Zealand, Boiler-maker. An improved draw-off pipe apparatus, more particularly applicable to household hot-water services of the low-pressure type.\*

*Extract from Specification.*—According hereto the draw-off pipe from the hot-water cistern is provided with a pivoted length of pipe, the free end of which is furnished with a float.

[NOTE.—The above extract from the specification is inserted in place of the claims.]

(Specification, 3s.)

No. 25217.—10th November, 1908.—HENRY BUTTERWORTH, of Brighton Road, Remuera, Auckland, New Zealand, Contractor. An improved composition or material for flooring, road-making, and other like purposes, and method of manufacturing the same.\*

*Claims.*—(1.) The improved composition or material specified, consisting, in combination, of tar in the proportion of fifty gallons and of resin in the proportion of twenty pounds avoirdupois weight boiled to a liquid for about from ten to twelve hours together, with the addition thereto after such boiling of two parts of sand to one of said liquid, in the manner and for the purpose set forth, as described.

[NOTE.—Here follow two other claims.]

(Specification, 2s. 9d.)

No. 25218.—10th November, 1908.—THOMAS ROGERS CLOW, of Papatoitōi, Auckland, New Zealand, Engineer. An improved windmill for raising water.\*

*Claims.*—(1.) In the improved windmill for pumping water, the same consisting, in combination, of a disc revolved by sails, the disc being connected to a rocking-bar by means of a connecting-rod, the rocking-bar being fulcrumed to a bracket, and having a pump-rod attached thereto, and means for adjusting length of stroke; a vane-rod being secured by means of a stay-pin to a projection from the main bracket, and linked to a lever fitted with a weight, said vane-rod having a chain or cord attached thereto, said chain or cord running over pulleys and down to a winch through the centre of main bracket, for the purpose set forth, as described and illustrated.

[NOTE.—Here follow four other claims.]

(Specification, 4s.)

No. 25242.—16th November, 1908.—WILLIAM BORLASE, of Dunedin, New Zealand, Engineer. Improved variable-speed gear for motor cycles and the like.\*

*Claims.*—(1.) In variable-speed gear for motor cycles and the like, in combination, an expanding pulley, a belt driven by said expanding pulley, a pulley driven by said belt, and means for expanding and contracting said expanding pulley and simultaneously effecting the necessary adjustment of said belt without employing cog-wheels, springs, or clutches, substantially as described. (2.) In variable-speed gear for motor cycles and the like, in combination, an externally threaded cylindrical member, a coned disc provided with a sleeve journaled in ball bearings within said member, a cap internally threaded to mesh with said member, a second coned disc forming with said first disc a pulley, a squared spindle secured to said second coned disc and slidably disposed within said sleeve and having its free end revoluble in the end of said cap, substantially as described. (3.) Improved variable-speed gear for motor cycles and the like, consisting of the parts combined, arranged, and adapted to operate substantially as described or illustrated in the drawings.

(Specification, 4s. 6d.)

No. 25276.—27th November, 1908.—DANIEL MOORE BROOKS, of 2 Harbour View, Wellington, New Zealand, Engineer. An improved tide-operated apparatus for compressing air.\*

*Extract from Specification.*—According hereto, a float, divided into compartments for containing compressed air and a multiplicity of air-pumps, is placed in a dock of sufficient capacity to allow water to surround the float.

[NOTE.—The above extract from the specification is inserted in place of the claims.]

(Specification, 9s. 6d.)

No. 25326.—11th December, 1908.—DONALD FRASER, of 369 Jackson Street, Petone, New Zealand, Carpenter and Builder. Improvements in gig-saws.\*

*Claims.*—(1.) For the purpose indicated, pinions slidably mounted upon the guide-bars which connect the two ends of the saw, said guide-bars being of round section and adapted to rotate with the pinions, racks gearing with the said pinions, means whereby movement of one pinion will be communicated to the other, and means for operating the said mechanism to rock or rotate the saw, substantially as set forth.

[NOTE.—Here follow four other claims.]

(Specification, 4s. 6d.)

No. 25330.—9th December, 1908.—ALOYSIUS WILLIAM BARNES COBBY, of Napier, New Zealand, Carpenter, and CHARLES HENRY ALLEY, of Farndon, New Zealand, Cooper. Improved nail-punch.\*

*Claim.*—A nail-punch formed so that it can be withdrawn by a claw-hammer or similar implement, substantially as and in the manner described.

(Specification, 1s. 6d.)

No. 25419.—7th January, 1909.—THOMAS HARRY GILLMAN, Architect, and LEONARD GRIFFITH GRACE, Agent, both of Hawera, New Zealand. Improved vacuum-producing apparatus.\*

*Claims.*—(1.) In apparatus for the purpose indicated, the employment in combination of the pipe, and independent valve for opening and closing its upper end, and means for lifting said valve from its seat, substantially as specified and illustrated. (2.) In apparatus for the purpose indicated, the combination of the water-trough, the pipe, the valve for closing the upper end of the pipe, the spring means for lifting the valve, the vacuum-pipe, and non-return valve as specified. (3.) In apparatus for the purpose indicated, the means for lifting the valve from its seat and permitting it to close thereon under the influence of a rush of water, substantially as specified. (4.) For the purpose indicated, the parts constructed, arranged, combined, and operating substantially as specified, and illustrated in the drawing.

(Specification, 2s. 9d.)

No. 25457.—16th January, 1909.—HYDROCARBON CONVERTER COMPANY, of 37 Wall Street, New York, United States of America (assignees of Elijah B. Benham, of New London, Connecticut, United States of America, and Godfrey M. S. Tait, of Montclair, New Jersey, United States of America, Inventors). Method and apparatus of vaporising or gasifying hydrocarbon liquids.

*Claims.*—(1.) The process of producing gas from hydrocarbon oils such as specified, which comprises passing such oil, or the vapour thereof, through the pores of a heated porous body or substance of the nature described, such body or substance being in either solid or granular or pulverulent condition, and being maintained at an effective temperature for forming gas, substantially as described. . . . (7.) Apparatus for making gas from hydrocarbon oils and the like, comprising a porous body of decomposing material, substantially as specified, in combination with means for heating the same to an extent such that it is effective for gas-formation as described, and with means for passing through such material oil or the vapour thereof, as set forth.

[NOTE.—Here follow seven other claims.]

(Specification, 15s.)

No. 25505.—28th January, 1909.—ELIZA BRANDON, of Fendalton, Canterbury, New Zealand, Housewife. Improved device for heating laundry-irons.

*Claim.*—A device for heating laundry-irons, consisting of a bottomless metal box having a hinged inclined lid, as specified and illustrated.

(Specification, 1s.)

No. 25578.—17th February, 1909.—WILLIAM DUGGAN, Jun., of Dunedin, New Zealand, Cabinetmaker. Improvements in or relating to apparatus for closing doors and gates.

*Claims.*—(1.) Door-closing apparatus comprising the combination with a hinge having a hole formed in each leaf thereof, of two casings extending rearwardly one behind the hole in each leaf respectively, and a coiled spring extending through the holes within the casings, and having an end secured at the back of each casing, substantially as and for the purposes set forth.

[NOTE.—Here follow six other claims.]

(Specification, 7s.)

No. 25798.—7th April, 1909.—THOMAS LUTHER GREEN, of Indianapolis, Indiana, United States of America, Manufacturer. Improvements in biscuit-cutting machines.

*Extract from Specification.*—Among the objects of my invention are positively to advance the carrier which feeds the sheet of material from which the biscuits or articles are cut or formed so that the carrier will move with certainty and precision; to deliver the articles fed forward by or from said carrier by withdrawing the support from beneath them, as, for instance, by effectively alternately shortening and lengthening the carrier at a delivery point thereof, and this whether said articles be arranged in staggered or non-staggered relationship; delivering the articles to a continuously moving receiving carrier which is driven with certainty at a plurality of different speeds; when pans or other receivers are fed by the carrier, to give to said carrier a periodic forward acceleration to move the same quickly past the delivery point of the delivery-carrier to prevent the deposit of articles over or in the spaces separating the edges of adjacent pans; when articles are cut in staggered rows, to provide instrumentalities to engage certain of said articles to prevent their delivery from said carrier, while permitting other of said articles to be delivered therefrom; and to subject the sheet of dough or other plastic material to frictional action to impart a surface thereto.

[NOTE.—The above extract from the specification is inserted in place of the claims.]

(Specification, £1 12s.)

No. 25956.—19th May, 1909.—JOSEPH WILLIAM BATES, of Hastings, New Zealand, Chemist. Improvements in or relating to account-books.\*

*Claims.*—(1.) For the purpose indicated, an account-form and a blank portion separated therefrom by a line of perforations, the underside of the blank portion being covered with adhesive matter, whereby it is attached to a blank space provided therefor at the side of the leaf of the ledger, substantially as set forth. (2.) The combination and arrangement of parts comprising the improvements in or relating to account-books, substantially as and for the purposes set forth and illustrated in the drawings.

(Specification, 3s. 6d.)

No. 25997.—28th May, 1909.—MASSEY-HARRIS COMPANY, LIMITED, of 915 King Street West, Toronto, Ontario, Canada, Manufacturers (assignees of Lyman Melvin-Jones, President of the Massey-Harris Company, Limited, and Andrew Johnston, Pattern-maker, both of 915 King Street West aforesaid). Improvements in side-delivery rakes and tedders.

*Extracts from Specification.*—The use of a rotating eccentric frame to hold the rake-bars in position to maintain the teeth at a constant angle to the horizontal during operation, and by the provision of means for shifting the eccentric frame to adjust said angle while in motion so as to adapt the rake to handle light or heavy hay to equal advantage, it being found that no one angle of tooth is suited to all conditions. . . . Connecting the rake-bars centrally of their length by a frame independent of the shaft driving the rake-bars so that no vibration is transmitted to the said shaft.

[NOTE.—The above extract from the specification is inserted in place of the claims.]

(Specification, 7s.)

No. 26153.—29th June, 1909.—WILFRED BERTRAM THORPE, of 62 Nightingale Lane, Balham, London, England, Electrical Engineer. Improvements in or relating to electrolytic devices suitable for use as or in the construction of electricity meters, recorders, switches, and other electrical apparatus.

*Extract from Specification.*—In an electrolytic device of the type referred to constructed according to the present invention, in order to prevent any of the gases produced by electrolysis and held in solution in the electrolyte in one end portion of the tube getting anywhere else than into the gas-collecting space or chamber, the portion of the tube extending from the electrolytic cell is closed by a piston or diaphragm that will not absorb the gases, or not to any material extent, and which is caused to make a gastight connection with the inner surface of the tube so as to prevent escape of gas, or of electrolyte, by creeping, between the piston or diaphragm and tube wall. For the latter purpose, when the piston or diaphragm is formed of a column of mercury, a fluid-tight joint between the tube and mercury can be formed by fusing into the wall of the tube one or more rings, tubes, or pieces of a metal, such as platinum, with which mercury is found to form a fluid-tight joint, and which extend completely around the inner surface of the tube. In order to prevent oxidation of the piston or diaphragm, when this is formed of mercury, the said mercury is connected to the negative pole of a source of electric energy. To prevent evolution of gas at the surface of the piston or diaphragm when this is formed by a column of mercury, and is connected, as set forth, to the negative pole of a source of electric energy the positive pole of which is connected through a high resistance to the anode in the electrolytic cell, there is placed between the mercury and anode a high resistance that will prevent any appreciable current flowing between them, and which may conveniently be formed by a fine column or thread of the electrolyte held within a capillary tube arranged between the portion of the tube forming the electric cell and that portion thereof containing the mercury column. In order that the working of the improved electrolytic device shall be unaffected by variations in temperature of the external atmosphere, in cases where this is necessary, as in the case of an electric meter, the tube is made of rigid material, for example glass, throughout, and is hermetically sealed at its ends, as in electrolytic devices for meters of a different type to that herein referred to, so that evolved gases in one end portion of the tube, and air or other gas or gases in the other end portion thereof, will, upon being simultaneously subjected to the same variation in temperature of the external atmosphere, produce, in a manner well understood in differential-air thermometers, equal and opposite pressures on the two ends of the column of liquid or equivalent located in the intermediate portion of the tube, and consequently fail to produce any movement of such column of liquid or equivalent, and consequent inaccuracy in the working of the meter, by reason of such temperature variation. Such a tube may be in the form of a bent tube sealed at its two ends, or in the form of a bent tube sealed at one end and open at the other and enclosed in an air-tight box or receptacle which forms, in effect, a closed extension of the open end of the tube, the one form being the equivalent of the other. An electrolytic device embodying the various improvements set forth can be constructed in various forms.

[NOTE.—The above extract from the specification is inserted in place of the claims.]

(Specification, £1 15s.)

No. 26201.—7th July, 1909.—PATRICK JAMES GRIFFIN, of Denniston, New Zealand, Miner. An improved tea-can.\*

*Claims.*—(1.) In combination, a can-body having a concave or approximately dome-shaped space at the bottom thereof, diagonal flues or vents for the escape of the products of combustion from said concave or approximately dome-shaped space, a lamp within said dome-shaped space, and a tray or holder for the lamp attached with clips or other suitable fastenings to the body of the can, substantially as and for the purpose described and as shown on the drawing. (2.) An improved tea-can constructed as and for the purpose described and as shown on drawing.

(Specification, 2s.)

No. 26327.—30th July, 1909.—EDISON PIERCE BRADY and JOHN FRANKLIN BRADY, Jun., of Highland Park, County of Lake, Illinois, United States of America. Improvements in turbines.

*Claims.*—(1.) A turbine member provided with a groove, a cage seated in said groove, means for anchoring said cage in said groove, and blades and blocks anchored in said cage in alternate order.

[NOTE.—Here follow seven other claims.]

(Specification, 6s.)

No. 26333.—12th August, 1908.—JOHN BLAKEY, of 11A Myddelton Square, Clerkenwell, in the County of London, England, Engineer. Improvements in and relating to carburettling-apparatus.

[NOTE.—This is an application under the International and Inter-colonial Arrangements, the date given being the official date of the application in Great Britain.]

*Claims.*—(1.) In carburettling-apparatus of the kind described, the arrangement therewith of a diaphragm or suction chamber adjacent to the mixing-chamber, for the purpose described. (2.) The combination in a carburettling-apparatus for the purpose described of a carburetter consisting of an upper and a lower tray or reservoir with absorbent coated screens between, and a down tube or channel having gauze trays therein for the passage of the hydrocarbon from the upper to the lower tray, means for supplying the hydrocarbon to the carburetter, a mixing-chamber communicating with the atmosphere and with the spiral chamber of the carburetter, having an exhausting-means attached thereto, and a superimposed diaphragm or suction-chamber, substantially as described.

[NOTE.—Here follow two other claims.]

(Specification, 4s. 6d.)

No. 26334.—3rd August, 1909.—The Honourable CHARLES ALGERNON PARSONS, C.B., of Heaton Works, Newcastle-on-Tyne, in the County of Northumberland, England, Engineer. Improvements in and relating to dynamo-electric machinery.

*Extract from Specification.*—The invention consists in an arrangement for holding conductors in dynamo-electric machinery wherein each conductor is held to the core by locking a portion of the conductor into a suitable groove or slot in the core, either with or without additional expanding or holding means for keeping it in the slot.

[NOTE.—The above extract from the specification is inserted in place of the claims.]

(Specification, 10s.)

No. 26367.—3rd August, 1909.—WILLIAM MILLER, of Lynwood, Watling Street, Wellington, Salop, England, Foundry-manager. Improvements in crucible furnaces.

*Claims.*—(1.) A crucible furnace having a waste-gas flue and a regenerative flue disposed contiguous to the waste-gas flue, and connections for bringing air through the regenerative flue to the underside, to the sides, and to the upper end of the furnace. (2.) A crucible furnace having waste-gas flues and a regenerative flue disposed contiguous to the waste-gas flues, a fire-grate, a flanged water-trough formed with perforations and located below the fire-grate, and connections for bringing air through the regenerative flue to the underside of the fire-grate, and to the sides, and to the upper end of the furnace. (3.) In a crucible furnace, a crucible adapted to be secured within the furnace, and having a tapping-hole and spout.

(Specification, 4s.)

No. 26368.—3rd August, 1909.—WILLIAM HERBERT WATERS, a member of the firm of Edward Waters and Sons, Patent Attorneys, of Nos. 414-418 Collins Street, Melbourne, Victoria, Australia (nominee of Stewarts and Lloyds, Limited, Engineers, of Nile Street, Birmingham, England—the assignees of Stephen Masters, Engineer, of Cleveland, Transvaal, South Africa). Improvements in straight-way valves.

*Extract from Specification.*—Generically speaking, a valve of the improved type comprises a casing having a straight-through bore, and provided with a valve-seat inclined at an angle of about 45° with the axis of the bore; a flat valve-disc is pivoted within the casing so as to swing on to or away from the valve-seat; and to said disc is positively attached a raising and lowering means, such as a screw spindle, whereby the disc may be raised from or pressed on to its seat, or held firmly at any desired point to regulate the opening of the valve.

[NOTE.—The above extract from the specification is inserted in place of the claims.]

(Specification, 4s. 6d.)

No. 26372.—6th August, 1909.—RODERICK CLEAVER, Bushman, and FREDERICK HUTTON, Engineer, both of Waikaiti, New Zealand. Improvements in wire-straining appliances.

*Extract from Specification.*—The improvements designed consist in the use of a reel having ratchet teeth around its edges, and having slots with S-shaped bottoms extending across it, such slots being adapted to receive a wire that has been correspondingly bent or shaped, in order that when the reel is rotated the wire will be rolled upon it. A handle of special form for rotating the reel is provided, such handle being also shaped to adapt it for use in bending the fence-wire in the manner indicated.

[NOTE.—The above extract from the specification is inserted in place of the claims.]

(Specification, 4s.)

No. 26373.—6th August, 1909.—FREDERICK LOUGH, of Ruapekapeka, New Zealand, Teacher, and WILLIAM JAMES FREDERICK HAYTER, of Hamilton, New Zealand, Bricklayer. An improved process for the manufacture of bricks, pottery, and like ware.

*Claim.*—The improved process for the manufacture of bricks, pottery, and the like, consisting in the combination of pumice and ironsand, with or without the addition of common salt, fused and melted together, and then run into moulds of the shapes required, substantially as specified.

(Specification, 1s.)

No. 26377.—7th August, 1909.—GEORGE HEFFRON, of Waikato, Ohinemuri, New Zealand, Inventor. Improved cooler and warmer for butter.

*Claims.*—(1.) A cover for the purpose indicated, having inner and outer walls, thereby providing a vessel designed to contain hot or cold water as the case may be, a handle being secured upon the top, substantially as specified and illustrated. (2.) A cover constructed and operating substantially as specified, and illustrated in the drawing.

(Specification, 1s. 6d.)

No. 26427.—16th August, 1909.—WILLIAM LYONS, of 72 Armagh Street, Christchurch, New Zealand, Builder. Water-raising apparatus for artesian supplies.

*Claims.*—(1.) Apparatus for the purpose indicated, consisting in the combination of a water-wheel mounted within a specially constructed tank, a cranked axle upon which the wheel is mounted, a fly-wheel upon said axle, and a force-pump operated by a connecting-rod from the crank of said axle, substantially as specified and illustrated. (2.) For the purpose indicated, the parts constructed, arranged, combined, and operating substantially as specified, and illustrated in the drawing.

(Specification, 1s. 9d.)

No. 26450.—19th August, 1909.—CHARLES DANIEL HILL, of 19 Lydia Street, Brunswick, Victoria, Australia, Fitter, and HUBERT CHARLES BAQUIE, of 358 Pigdon Street, North Carlton, Victoria aforesaid, Foreman. An improved automatic pneumatic wheel for motor-cars and other like vehicles.

*Extract from Specification.*—In a wheel constructed according to our invention an air-cylinder is arranged between the end of each spoke and the rim, each spoke forming a plunger or piston-rod for the cylinders, and has a reciprocating action in same when the wheel is revolving and the load is in suspension by means of the compressed air in cylinders, the compression of the air in cylinders being automatic.

[NOTE.—The above extract from the specification is inserted in place of the claims.]

(Specification, 7s. 6d.)



No. 26461.—23rd August, 1909.—FREDERICK DE JERSEY CLERE, of Hunter Street, Wellington, New Zealand, Architect. Improvements in and relating to windows.

*Extract from Specification.*—According hereto a window is made with a sash and a panel below, the sash being hinged at the top and provided with a cord and guide-pulleys whereby it may be raised by an operator within the building. The panel is pivoted or hinged at the bottom, and after being turned down is pushed into a space or recess provided for it beneath the floor of the building, where it is out of the way, and leaves the floor of the verandah unencumbered. A hinged flap may be provided to form a slope from the room to the verandah.

[NOTE.—The above extract from the specification is inserted in place of the claims.]

(Specification, 3s. 6d.)

No. 26464.—24th August, 1909.—ANNE OF LOWENSTEIN WERTHEIM, a Princess of the German Empire, of 8 Upper Belgrave Street, London, England. Improvements in self-levelling cots, bunks, couches, and the like for use on ship-board.

*Claims.*—(1.) The improvements in self-levelling cots, bunks, couches, and the like swung from a central point above by a universal joint, for use on ship-board, characterized by the application thereto of a suitable number of electrical solenoids, which when energized operate in the manner described for the purpose of preventing any tendency of such cot, bunk, couch, or the like attaining a swinging motion, all substantially as set forth and shown in the drawings.

[NOTE.—Here follow two other claims.]

(Specification, 6s.)

No. 26466.—21st January, 1909.—AXEL JULIUS LAURITS LASSEN, of Frederiksberg, Copenhagen, Denmark, Machine-manufacturer. Method of and machine for stoppering bottles with capsules.

[NOTE.—This is an application under the International and Inter-colonial Arrangements, the date given being the official date of the application in Germany.]

*Extract from Specification.*—According to this invention the material from which the capsules are made is introduced into the path of the stamp or press plunger in the form of plates or strips, the stamp cutting out a capsule-disc, carrying the said disc forward with it, and finally applying it around the mouth of the bottle. The material led under the stamp consists of two layers—that is to say, an outer layer which is actually the layer forming the capsule, and an inner layer which is the packing-material. These two layers are simultaneously cut out of the strips of material led into the machine, and the packing-disc and the actual capsule are formed simultaneously and also simultaneously secured to the bottle-mouth. In other methods of stoppering bottles by means of capsules or the like, the capsule and the packing-disc are made separately, and both are then separately fitted at the place where the bottle is filled, or they are united before being fixed on the bottle. Such methods necessarily give rise to a considerable amount of manipulation. The three operations—that is, the simultaneous cutting of the capsule and packing-material, the forming of the capsule and the packing-material, and finally their fixing on the bottle—are, according to the present invention, effected consecutively, so that the operation of stoppering bottles can be done much more quickly than hitherto.

[NOTE.—The above extract from the specification is inserted in place of the claims.]

(Specification, 10s.)

No. 26467.—21st August, 1909.—GEORGE SAMUEL THOMSON, of Timaru, New Zealand, Inventor, and GEORGE PERCIVAL DYER, of Great King Street, Dunedin, New Zealand, Sanitary Engineer and Plumber. Improvement in the valve mechanism for controlling acetylene-gas generators.

*Claims.*—(1.) In covers and valves of acetylene-gas generators, containers, &c., placed in a gasometer, in combination, a cover furnished with a clamp and rubber ring, tightened by a screw, with projecting double-wedge-shaped projections so formed that they engage a valve normally kept closed by a spring when the cover is in a certain known

position, and allow the said spring-valve to close when the said cover is in other position, all substantially as shown on the drawing and as described and as explained. (2.) In combination, in an acetylene-gas generator and carbide-container, the usual cover to the generator so formed that it actuates the generation of the gas by opening a valve when turned to a certain known position, which allows the confined air to escape and consequently the water to rise to the carbide, with a clamp for tightening the said cover in either position, or whether the said valve it actuates by projections is open or shut, all substantially as set forth.

(Specification, 3s.)

No. 26477.—25th March, 1909.—GEORGE WILLIAM BERRY, of 601 Mount Alexander Road, Moonee Ponds, Victoria, Australia, Mechanic. Improvements in closets or commodes.

[NOTE.—This is an application under the International and Inter-colonial Arrangements, the date given being the official date of the application in Australia.]

*Extract from Specification.*—This invention relates to closets or commodes wherein an automatically operated receiving platter, slide, or the like is employed between the seat and pan, and the improvements consist of automatic means to lock the platter in its receiving position until the person using the closet has quite finished with same, so as to allow of a rapid movement of the platter. This ensures the contents of the platter being deposited into the pan, and prevents the platter being left in such a position that flies, &c., could get past and reach the pan; and, moreover, it prevents waste of disinfectant fluid in closets of this kind wherein the supply is automatically controlled by the platter.

[NOTE.—The above extract from the specification is inserted in place of the claims.]

(Specification, 5s.)

No. 26493.—27th August, 1909.—ALEXANDER WALTER PARTON, of 32 Pirie Street, Wellington, New Zealand, Sanitary Engineer. An improved ladder-bracket for holding buckets, paint-pots, and the like utensils.

*Extract from Specification.*—According hereto the bracket as applied in its simplest form comprises a band of metal, the central portion thereof being bent into the form of a loop. The ends of the said band continue a short distance parallel to each other and terminate in hooks adapted to engage the front edge of a tread of a step-ladder.

[NOTE.—The above extract from the specification is inserted in place of the claims.]

(Specification, 4s.)

No. 26529.—6th September, 1909.—THOMAS MARTYN, of Corbett Street, Paeroa, New Zealand, Master Cabinetmaker. Improvements in combination dressing-tables.

*Claims.*—(1.) The combination dressing-table in two parts, the upper part being made movable to draw forward. (2.) The arrangement of bearer, guides, and friction-rollers as shown at Fig. 3.

(Specification, 1s.)

Copies of drawings may be obtained at the uniform price of 1s. each. In exceptional cases this price may be increased at the discretion of the Office.

An asterisk (\*) denotes the complete specification of an invention for which a provisional specification has been already lodged.

NOTE.—The cost of copying the specification has been inserted after the notice of each application. An order for a copy or copies should be accompanied by a post-office order or postal note for the cost of copying.

The date of acceptance of each application is given after the number.

Extracts from the drawings accompanying the foregoing complete specifications appear at the end of this *Gazette*.

J. C. LEWIS,  
Registrar.

## Provisional Specifications accepted.

Patent Office,  
Wellington, 6th October, 1909.

APPLICATIONS for Letters Patent, with provisional specifications, have been accepted as under:—

- No. 26347.—J. Forsyth, flax-treatment.  
 No. 26365.—Utility Manufacturing Company, Limited, flax-treatment. (W. F. Lietz)  
 No. 26374.—H. M. Douglas, loose-leaf account-book.  
 No. 26391.—T. Parker, destructive distillation of coal.  
 No. 26406.—T. Telford, flax-stripper.  
 No. 26412.—A. L. J. Tait, flax, &c., cutter and binder.  
 No. 26413.—K. Maitland-Gibson, manufacture of gas from oils.  
 No. 26414.—H. Smart, ball valve.  
 No. 26424.—H. Allan, gas cooker.  
 No. 26425.—H. Dennis and T. Varcoe, collapsible box or grate.  
 No. 26428.—A. Moore, life-belt.  
 No. 26432.—R. D. Smith, J. C. Thomson, and W. Gow, golf-club head.  
 No. 26433.—J. Brown, tire-cushion.  
 No. 26434.—L. J. Abrams, broom. (H. M. Marsh.)  
 No. 26437.—F. S. Cooze, ventilator.  
 No. 26446.—H. Anson, hot-water system.  
 No. 26451.—J. Burgess, tide-motor.  
 No. 26452.—J. F. Gunn, clothes-peg.  
 No. 26457.—L. M. Phillips, A. Nicholson, and D. McKenzie, corset.  
 No. 26458.—E. J. Chilton, water-closet flush.  
 No. 26462.—J. Leonard, hook.  
 No. 26463.—W. Woods, rendering calcium-carbide odourless.  
 No. 26469.—J. Treloar and L. Hodgkinson, washing-machine.  
 No. 26470.—A. Pullar, tooth-brush.  
 No. 26471.—G. W. Davies, incandescing gas.  
 No. 26472.—F. J. S. Caverhill, sheep-shearing-machine driving-gear.  
 No. 26473.—G. V. Davis, tent.  
 No. 26476.—M. J. Gartlan, cycle attachment.  
 No. 26482.—A. Simonson and O. R. Petersen, paper-file.  
 No. 26483.—W. B. Topp, "O.G." spouting.  
 No. 26486.—A. L. Jones, safety-lamp.  
 No. 26488.—W. S. Bayston, neutralising blasting fumes. (W. Burgess.)  
 No. 26489.—T. Hamilton, seed-cleaning riddle.  
 No. 26491.—J. Green, fencing-batten.  
 No. 26492.—F. H. Bridger, apparatus for maintaining pressure. (T. E. Bridger.)  
 No. 26494.—A. Schultze, lock.  
 No. 26499.—A. B. Carter and W. C. Washer, table.  
 No. 26500.—L. Smyth, wash-boiler and sink.  
 No. 26501.—A. W. Schaef, aeroplane.  
 No. 26502.—E. Le Roy, horse-cover.  
 No. 26505.—J. Robb, glazier's diamond-adjuster.  
 No. 26510.—F. A. and A. P. Fischer, franking-machine.  
 No. 26511.—F. W. Ockerby, grass seed stripper.  
 No. 26512.—W. A. Benn and E. S. Stokes, preserving fish.  
 No. 26514.—C. M. Officer, carburetted air for lighting, &c.  
 No. 26515.—T. Chadwick, dry amalgamating machine.  
 No. 26518.—W. Keymer, F. Parsons, and G. H. Clymo, plate-warming apparatus.  
 No. 26520.—D. P. Fisher, phonograph-diaphragm.  
 No. 26522.—G. Gray, ridging-machine.  
 No. 26524.—W. E. Holden, magic-lantern.  
 No. 26525.—H. Clapham, production of gas from hydro-carbon oils.  
 No. 26527.—A. J. Park, franking-machine.  
 No. 26535.—J. Loggie and R. H. Moon, curtain-pole lifter.  
 No. 26575.—L. N. Natrass, shafting-lubrication.

[NOTE.—Provisional specifications cannot be inspected, or their contents made known by this office in any way, until the complete specifications in connection therewith have been accepted.]

## Letters Patent sealed.

- LIST of Letters Patent sealed from the 15th to the 29th September, 1909, inclusive:—  
 No. 23973.—J. A. Millar, rowlock.  
 No. 24179.—L. Hardaker, road-vehicle wheel.  
 No. 24327.—United Shoe Machinery Company, shoe-upper lacing-machine. (H. E. Enlin.)  
 No. 24451.—United Shoe Machinery Company, welt-slitter. (E. E. Winkley and J. T. McIsaac.)  
 No. 24468.—E. S. Wells, butter-outer.  
 No. 24500.—W. L. Jolly, footwear pneumatic sole.  
 No. 24545.—F. Cooper, skeith-buckle.  
 No. 24546.—F. Cooper, plough-bridle shackle.

- No. 24557.—United Shoe Machinery Company, sole-operating machine. (E. E. Winkley.)  
 No. 24558.—United Shoe Machinery Company, vamp-trimmer. (J. B. Hadaway.)  
 No. 24737.—L. R. Sundercombe, flash-signal apparatus.  
 No. 24753.—N. C. Christie and W. Henderson, railway air-brake.  
 No. 25202.—United Shoe Machinery Company, sole-leveling machine. (E. E. Winkley.)  
 No. 25215.—W. H. Trengrove, internal-combustion engine.  
 No. 25291.—J. F. C. Hodges and G. W. Griffith, plough-share.  
 No. 25331.—C. A. Baechler, casein-manufacture.  
 No. 25495.—A. Goding, steam-generator.  
 No. 25510.—J. F. Ross, self-sealing can.  
 No. 25525.—Monotype Machine (Colonial Patents) Syndicate, Limited, composing-machine justifier. (J. S. Bancroft and M. C. Indahl.)  
 No. 25547.—A. A. Lockwood and M. R. A. Samuel, ore-treatment.  
 No. 25590.—W. J. Rawling, sanitary pan.  
 No. 25639.—T. J. Murphy, electricity-rectifier.  
 No. 25697.—F. A. Beal, turned shoe.  
 No. 25729.—T. Gare, sheet indiarubber manufacture, &c.  
 No. 25765.—G. H. Pedlar, corrugated-pipe section.  
 No. 25855.—G. Lewis, joining plaster slabs.  
 No. 25876.—A. Macdonald, telegraphic transmitter.  
 No. 25899.—A. Storr, milking-machinery.  
 No. 25941.—J. Douglas the younger and F. G. Geddes, dressing-retainer for horses' knees.  
 No. 25942.—J. M. Clark, target-practice attachment.  
 No. 25979.—H. and C. E. Merrett, internal-combustion engine.

## Letters Patent on which Fees have been paid.

[NOTE.—The dates are those of the payments.]

## SECOND-TERM FEES.

- NO. 19635.—H. J., and A. Coulthurst, M. Yarrow, and W. R. Haworth, earthenware-pipe maker. 21st September, 1909.  
 No. 19992.—J. T. Hooker, luncheon-can. 6th September, 1909.  
 No. 20046.—Synoloids, Limited, printing and developing photographs. (H. J. Mallabar.) 24th September, 1909.  
 No. 20117.—R. E. Hall, gate-fastener. 23rd September, 1909.  
 No. 20125.—The Climax Patents, Limited, power-hammer. (H. B. Stocks.) 23rd September, 1909.  
 No. 20317.—United Shoe Machinery Company, turning boots, &c. (A. Eppler.) 22nd September, 1909.  
 No. 20450.—United Shoe Machinery Company, lasting-machine. (W. A. Bond.) 22nd September, 1909.  
 No. 20451.—United Shoe Machinery Company, sewing-machine. (W. C. Meyer.) 22nd September, 1909.  
 No. 20452.—United Shoe Machinery Company, rough-rounding, &c., machine. (G. F. Wolfe.) 22nd September, 1909.  
 No. 20453.—United Shoe Machinery Company, fastenings-insert, &c. (G. A. Ambler.) 22nd September, 1909.  
 No. 21820.—A. A. Adams, T. Sears, and W. F. Fair, dasher for churn. 23rd September, 1909.

## THIRD-TERM FEES.

- No. 15650.—United Shoe Machinery Company, trimming, &c., soles. (B. F. Mayo.) 22nd September, 1909.

## Subsequent Proprietors of Letters Patent registered.

[NOTE.—The name of the former proprietor is given in brackets; the date is that of registration.]

- NO. 14160.—The Continental and Colonial Explosives, Limited, of 3 Wimpole Street, London W., England. Explosive. (E. Phillips—E. Steele.) 23rd September, 1909.  
 No. 20055.—Arthur Paul Harper, of Mackay Street, Grey-mouth, New Zealand, Barrister-at-law. Means for emptying kerosene-tins, &c. (R. S. Haughton.) 13th September, 1909.  
 No. 23371.—Lillias Susannah Murray, wife of Robert Louis Howell Murray, of Auckland, New Zealand, registered as proprietor for that part of the North Island of New Zealand set out in deed. Acetylene-gas holder and burner. (R. L. H. Murray.) 24th September, 1909.  
 No. 25960.—Granville Hunt, of Wellington, New Zealand, Importer. Closet. (J. Syrett.) 20th September, 1909.

**Request for Correction of Clerical Error allowed.**

THE request for correction of clerical error in application for Letters Patent No. 25976—J. T. Hunter, lino-type-machine (advertised in Supplement to *New Zealand Gazette*, No. 75, of the 9th September, 1909)—has been allowed.

**Applications for Letters Patent abandoned.**

LIST of applications, with which provisional specifications only have been filed, abandoned (*i.e.*, complete specifications not lodged) from the 17th September to the 1st October, 1909, inclusive:—

- No. 25249.—C. R. Skipage, cow-bail.
- No. 25251.—F. J. Brown and H. Burke, pipe-closing valve.
- No. 25252.—F. J. Brown and H. Burke, hose-coupling.
- No. 25254.—R. Walker, fusible plug.
- No. 25258.—G. T. and H. H. Stewart, variable gear.
- No. 25261.—A. E. Jones and J. Whitelaw, nipple-coupling for electric-wire pipes.
- No. 25263.—W. Hobbs, dust-collector for tramways.
- No. 25265.—C. J. H., and J. Laut, Wellington, N.S.W., and T. Mitchell, candlestick.
- No. 25266.—P. and D. Duncan, Limited, seed-discharge for drill. (J. Keir.)
- No. 25272.—C. F. Olson, roller-blind bracket.
- No. 25275.—R. N. Adams, door-holder.
- No. 25277.—H. E. Thew, window-sash balance.
- No. 25278.—R. A. Fonseca, cycle mud-guard.
- No. 25281.—H. D. Schmidt, artificial eye.
- No. 25282.—A. Thornton and A. H. Wright, camera-support.
- No. 25287.—W. Beamish, animal-trap.
- No. 25288.—W. Beamish, flushing-cistern.

**Application for Letters Patent void.**

APPLICATION for Letters Patent, with which complete specification has been lodged, void owing to non-acceptance of such complete specification, from the 18th September to the 1st October, 1909, inclusive:—

- No. 24583.—A. A. Hall, washing-fluid.

**Applications for Letters Patent lapsed.**

APPLICATIONS for Letters Patent lapsed, owing to Letters Patent not being sealed, from the 18th September to the 1st October, 1909, inclusive:—

- No. 24144.—A. Lawton, scaffold bracket and hook.
- No. 24147.—J. Mulligan, hose-coupling. (G. W. White.)
- No. 24155.—J. A. Berg, gig spring and frame.
- No. 24163.—C. H. Matthews, billiard-table.
- No. 24164.—E. H. Browne, wire-strainer.
- No. 24185.—J. Wilson, ferro-concrete structures.
- No. 24186.—F. O. Von Rome, boot-upper.
- No. 24197.—J. Stephens, mouse and rat trap.

**Letters Patent void.**

LIST of Letters Patent void through non-payment of renewal fees, and through expiry of term of fourteen years, from the 18th September to the 1st October, 1909, inclusive:—

**THROUGH NON-PAYMENT OF SECOND-TERM FEES.**

- No. 19611.—J. McGuire, hose-tubing.
- No. 19613.—Minerals Separation, Limited, concentrating-table. (H. M. Sutton, W. L. Steele, and E. G. Steele.)
- No. 19614.—Minerals Separation, Limited, separator. (H. M. Sutton and W. L. and E. G. Steele.)
- No. 19615.—Automatic Meter Company, bill-delivery mechanism. (R. W. Gallagher.)
- No. 19621.—T. J. A. Macdonald, amalgamator.
- No. 19622.—T. P. Rudkins and P. K. O'Brien, moving goods.
- No. 19627.—F. W. Parker, rabbit-exterminator.
- No. 19629.—J. O'Dowd, roof-gutter.
- No. 19630.—H. S. Elworthy, gas-manufacture.
- No. 19631.—H. S. Elworthy, gas-manufacture.

- No. 19632.—H. S. Elworthy, production of nickel.
- No. 19639.—W. Bills, wire mattress.
- No. 19640.—D. F. Sherman, preserving fruit.
- No. 19643.—G. Stevenson, ratchet-wrench.
- No. 19644.—W. Howlin, operating valves, taps, &c.
- No. 19645.—J. Anschau, mail-bag seal.
- No. 19646.—F. W. Dupré, extracting gold from ores.
- No. 19650.—C. A. Sahlstrom, electrical ozonizer.
- No. 19655.—H. D. Mackenzie, flax-treatment.
- No. 20271.—A. J. Hubbard, G. Hubbard, and A. W. Stephens, reservoir for collecting dew.

**THROUGH NON-PAYMENT OF THIRD-TERM FEES.**

- No. 15022.—M. Saunders, harvester.
- No. 15025.—F. Bonnington, damper-regulator.
- No. 15044.—W. Buckingham, rotary engine.
- No. 15052.—C. C. Kidd, plough.
- No. 15061.—A. Gray, W. Wood, J. Sharp, jun., and T. Rainey, supplying steam and air to furnace. (G. Claydon.)

**THROUGH EXPIRY OF TERM.**

- No. 7929.—Flere and Mills, Limited, election polling-station fittings.
- No. 7933.—Lamson Store Service Company, Limited, cash, &c. carrier. (H. A. Wheat and N. Guthridge—R. Reid.)
- No. 7942.—W. Mather, mosaic floorcloth.

**Designs registered.**

DESIGNS have been registered in the following names on the dates mentioned:—

- No. 488.—Ethel Josephine Freebury, of Waimea Street, Nelson, New Zealand. Class 1. 16th September, 1909.
- No. 489.—Elizabeth Jane Smith, of 156 Fifth Avenue, New York, United States of America, Manufacturer. Class 1. 6th April, 1909.
- No. 490.—Wellington Co-operative Boot Company, of 69 Cambridge Terrace, Wellington, New Zealand. Class 10. 13th September, 1909.

**Designs expired.**

THE copyright in the following designs has expired:—

- No. 219.—O'Sullivan Rubber Company, of Lowell, U.S.A. (Boot-heel.)
- No. 220.—C. M. Brooke, of Christchurch, N.Z. (Bottle.)

**Applications for Trade Marks filed.**

LIST of applications for registration of Trade Marks filed from the 18th September to the 1st October, 1909, inclusive:—

- No. 8248.—13th September.—Hutchinson Bros., Limited, Auckland, N.Z. Class 42.
- No. 8249.—13th September.—W. Plowman and Son, Napier, N.Z. Class 3.
- No. 8250.—15th September.—J. S. Cree, Dunedin, N.Z. Class 3.
- No. 8251.—15th September.—H. Berry and Co., Christchurch, N.Z. Class 6.
- No. 8252.—15th September.—H. Berry and Co., Christchurch, N.Z. Class 12.
- No. 8253.—15th September.—R. Demuth, London, Eng. Class 3.
- No. 8254.—16th September.—A. Hyde, Te Awamutu, N.Z. Class 43.
- No. 8255.—17th September.—G. Hunt, Wellington, N.Z. Class 18.
- No. 8256.—17th September.—J. Henderson, Island Cliff, N.Z. Class 2.
- No. 8257.—18th September.—S. S. Ireland, Blenheim, N.Z. Class 50.
- No. 8258.—18th September.—A. H. S. Lucas (trading as "Dr. Lucas Papaw Ointment Company"), Wellington, N.Z. Class 3.
- Nos. 8259 and 8260.—20th September.—"Sarotti" Chocoladen and Cacao Industrie A. G., Berlin, Ger. Class 42.
- No. 8261.—20th September.—S. Mayson, Kaikoura, N.Z. Class 47.
- No. 8262.—22nd September.—D. J. Barry, Gisborne, N.Z. Class 43.

No. 8263.—22nd September.—W. Meyer and Co., Limited, Patras, Greece. Class 42.  
 No. 8264.—23rd September.—Scarborough, Nephew, and Co., Halifax, Eng. Class 34.  
 No. 8265.—23rd September.—Champion and Slee, Limited, London, Eng. Class 42.  
 Nos. 8266, 8267, 8268, 8269.—22nd September.—Fried. Krupp Aktiengesellschaft Grusonwerk, Magdeburg-Buckan, Ger. Classes 5, 6, 7, and 13.  
 No. 8270.—22nd September.—“Premier” Gas Engine Company, Limited, Sandiacre, Eng. Class 6.  
 No. 8271.—23rd September.—C. Chamberlain (trading as “Oxford Sausage Company”), Auckland, N.Z. Class 42.  
 No. 8272.—24th September.—Hudson and Marriott, Limited, Levin, N.Z. Class 42.  
 No. 8273.—24th September.—J. Moir and Son, Limited, London, Eng.; Aberdeen, Scot.; Seville, Spain. Class 42.  
 No. 8274.—27th September.—Milburn Lime and Cement Company, Limited, Dunedin, N.Z. Class 17.  
 No. 8275.—27th September.—H. Berry and Co., Christchurch, N.Z. Class 38.  
 No. 8276.—28th September.—Vinolia Company, Limited, London, Eng. Class 48.  
 No. 8277.—28th September.—Heather, Robertson, and Co., Auckland, N.Z. Class 15.  
 No. 8278.—29th September.—M. Moon, Hawera, N.Z. Class 3.  
 No. 8279.—29th September.—J. Martin, Wellington, N.Z. Class 3.  
 No. 8280.—29th September.—W. Reece, Christchurch, N.Z. Class 17.  
 No. 8281.—29th September.—H. L. Jackson, Blenheim, N.Z. Class 3.

#### Applications for Registration of Trade Marks.

Patent Office,  
Wellington, 6th October, 1909.


APPLICATIONS for registration of the following Trade Marks have been received. Notice of opposition to the registration of any of these applications may be lodged at this office within two months of the date of this *Gazette*. Such notice must be in duplicate, and accompanied by a fee of £1.

No. of application: 7956.

Date: 21st April, 1909.

TRADE MARK

**PRIORY BRAND**  
 TRADE MARK



The essential particulars of this trade mark are the device and the word “Priory”; and any right to the exclusive use of the added matter is disclaimed.

NAME.

WILLIAM CHARLES CALLAGHAN and FANNY PRIOR, of 13 College Street, Wellington, in the Dominion of New Zealand, Sauce-manufacturers.

No. of class: 42.

Description of goods: Tomato sauce.

No. of application: 7971.

Date: 6th May, 1909.

TRADE MARK.



TUI BRAND.

The essential particular of this trade mark is the device and word “Tui”; and any right to the exclusive use of the word “Brand” is disclaimed.

NAME.

ROBERT GIBB, of Ellerslie, Auckland, in the Dominion of New Zealand, Inspector of Apiaries.

No. of class: 42.

Description of goods: Honey and vinegar.

No. of application: 8062.

Date: 23rd June, 1909.

TRADE MARK.

**MONKSBURN**  
  
**AIR DRIED**

The essential particulars of the trade mark are as follow—the device and the word “Monksburn”; and any right to the exclusive use of the added matter is disclaimed.

The applicant company claims that the said trade mark has been used by them or their predecessors in business continuously since before the 2nd day of September, 1889.

NAME.

ALEXANDER COWAN AND SONS, LIMITED, of 38 West Register Street, Edinburgh, Scotland; 395 Flinders Lane, Melbourne, in the State of Victoria and Commonwealth of Australia; and elsewhere; Merchants and Manufacturers.

No. of class: 39.

Description of goods: Paper and envelopes.

No. of application: 8140.

Date: 28th July, 1909.

TRADE MARK.

The word

**MULCOTT.**

**NAME.**

THE MULCOTT BELTING COMPANY, LIMITED, of Dudley Hill, Bradford, England, Belt-manufacturers.

No. of class: 25.

Description of goods: Machine belting and composite belting, mainly of textile materials, included in this class.

No. of application: 8191.

Date: 16th August, 1909.

**TRADE MARK.**



The essential particular of this trade mark is the distinctive label. No claim is made to the exclusive use of the word "Jersey."

**NAME.**

J. B. MAC EWAN AND CO., LIMITED, of 139-141 Featherston Street, Wellington, in the Dominion of New Zealand, Butter-merchants.

No. of class: 42.

Description of goods: Butter.

No. of application: 8221.

Date: 27th August, 1909.

**TRADE MARK.**

The word

**PRESIDENT.**

**NAME.**

THE C. A. EDGARTON MANUFACTURING COMPANY, of Shirley, Massachusetts, United States of America.

No. of class: 38.

Description of goods: Braces—an article of dress for boys' or men's wear, for suspending the trousers.

No. of application: 8233.

Date: 3rd September, 1909.

**TRADE MARK.**

The word

**IDEEL.**

**NAME.**

JAMES HARGREAVES, of Eden Terrace, New North Road, Auckland, in the Dominion of New Zealand, Ventilating Engineer and Metal-plate Worker.

No. of class: 13.

Description of goods: Baths, tanks, sanitary pans, ventilators, and other finished articles in metal-plate work, such as copper, zinc, tin, and galvanised iron.

No. of application: 8238.

Date: 7th September, 1909.

**TRADE MARK.**

The words

**H.M.S. INVINCIBLE.**

The essential particular of this trade mark are the words "H.M.S. Invincible"; and any right to the exclusive use of the picture of a battleship, or to the word as a description of the tea, is disclaimed.

**NAME.**

W. LITHERLAND AND CO., of Hikurangi, Auckland, in the Dominion of New Zealand, General Storekeepers.

No. of class: 42.

Description of goods: Tea.

No. of application: 8240.

Date: 8th September, 1909.

**TRADE MARK.**

The word

**CHAMPION.**

**NAME.**

HARDLEY AND HARDLEY, LIMITED, of Auckland, in the Dominion of New Zealand, Manufacturers and Importers.

No. of class: 5.

Description of goods: Unwrought and partly wrought metals used in manufacture, such as iron and steel, pig or cast iron, rough iron, bar and rail, cast and wrought iron pipes, iron bolts and rods, iron in sheets, boiler and armour plate, iron hoop, lead pig, lead rolled, wire, copper in sheets, pipes in ingots, zinc in sheets, in pipes or ingots, tin in ingots, sheet tin plates, tin pipe, aluminium in sheets or pigs, bronze in sheets or pigs, muntz metal in sheets or pigs, lead pipes, lead trap, nickel in sheets and in ingots, and sheet metal, both plain, galvanised, and corrugated.

No. of application: 8241.

Date: 8th September, 1909.

**TRADE MARK.**

The word

**SANDFRE.**

**NAME.**

ROBERT JOHN McDONALD, of Devonport, Auckland, in the Dominion of New Zealand, Bootmaker.

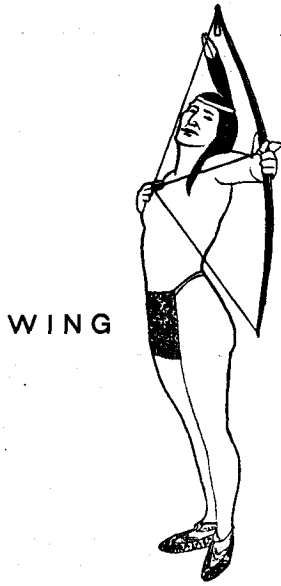
No. of class: 38.

Description of goods: Footwear.

No. of application : 8245.

Date : 11th September, 1909.

TRADE MARK.



WING

NAME.

REGINALD ALBERT DUTTON and EMILY DUTTON, trading as "The Dingo Medicine Company," of 173 Hobson Street, Auckland, in the Dominion of New Zealand.

No. of class : 3.

Description of goods : All goods in Class 3—namely, medicines.

No. of application : 8250.

Date : 15th September, 1909.

TRADE MARK.

The words

**HERBOZONE**

THE PERFECT BLOOD PURIFIER.

The essential particular of this trade mark is the word "Herbozone"; and any right to the exclusive use of the added matter is disclaimed.

NAME.

JANE SMITH CREE, of George Street, Dunedin, in the Dominion of New Zealand.

No. of class : 3.

Description of goods : A blood-purifier medicine.

No. of application : 8251.

Date : 15th September, 1909.

TRADE MARK.

The word

**INVICTA.**

NAME.

HENRY BERRY AND Co., of 116 Lichfield Street, Christchurch, in the Dominion of New Zealand.

No. of class : 6.

Description of goods : Meat cutting, mincing, and filling machines.

No. of application : 8252.

Date : 15th September, 1909.

TRADE MARK.

The word

**INVICTA.**

NAME.

HENRY BERRY AND Co., of 116 Lichfield Street, Christchurch, in the Dominion of New Zealand.

No. of class : 12.

Description of goods : Cutlery, saws.

No. of application : 8255.

Date : 17th September, 1909.

TRADE MARK.

The words

**THE "CONQUEROR" SANITARY CABINET.**

The essential particular of this trade mark is the word "Conqueror"; and any right to the exclusive use of the added matter is disclaimed.

NAME.

GRANVILLE HUNT, of Victoria Street, Wellington, in the Dominion of New Zealand, Importer.

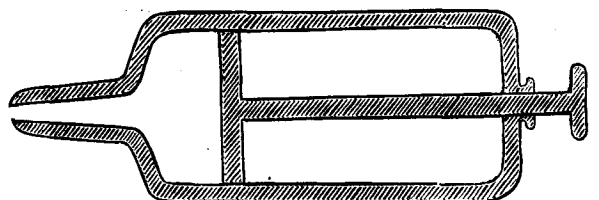
No. of class : 18.

Description of goods : Closets, and drainage contrivances in connection therewith.

No. of application : 8256.

Date : 17th September, 1909.

TRADE MARK.



NAME.

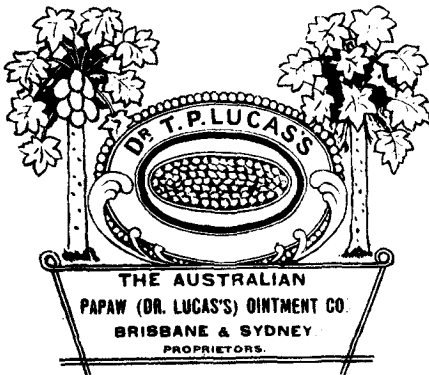
JOHN HENDERSON, of Island Cliff, [North Otago, in the Dominion of New Zealand, Farrier.

No. of class : 2.

Description of goods : Liniment for horses and cattle.

No. of application : 8258.  
Date : 18th September, 1909.

TRADE MARK.



NAME.

ARTHUR HENRY SHAKESPEARE LUCAS, trading as "Dr Lucas's Papaw Ointment Company," of 55 Scarborough Terrace, Wellington, in the Dominion of New Zealand, Tea Expert; trading also as "The Australian Papaw (Dr. Lucas's) Ointment Company."

No. of class : 3.  
Description of goods : Papaw ointment, lozenges, mistoids.

No. of application : 8263.  
Date : 22nd September, 1909.

TRADE MARK.

The words

**ROYAL CAKE.**

NAME.

W. MEYER AND Co., LIMITED, of Patras, Greece, Merchants.

No. of class : 42.  
Description of goods : Dried fruits (such as currants) of every description.

No. of application : 8264.  
Date : 23rd September, 1909.

TRADE MARK.

The word

**DREADNOUGHT.**

NAME.

SCARBOROUGH, NEPHEW, AND Co., of Ellen Royde Mills, Rouge Bank, Halifax, Yorkshire, England, Manufacturers.

No. of class : 34.  
Description of goods : All goods included in this class.

[NOTE.—Class 34 is for "Cloth and stuffs of wool, worsted, or hair."]

No. of application : 8273.  
Date : 24th September, 1909.

TRADE MARK

The word

**MOIR'S.**

The applicants claim that the said trade mark has been used by them and their predecessors in business in respect of the articles mentioned for about sixty years prior to 1st January, 1890.

NAME.

JOHN MOIR AND SON, LIMITED, of 9 and 10 Great Tower Street, in the City of London, England; 56 Virginia Street, Aberdeen, Scotland; and Calle Oriente 20, Seville, Spain; Manufacturers.

No. of class : 42.

Description of goods : Substances used as food or as ingredients in food, being goods preserved in tins, glass, or earthenware, bottled goods, dried goods in packets, and beverages.

No. of application : 8275.  
Date : 27th September, 1909.

TRADE MARK.

The word

**INVICTA.**

NAME.

HENRY BERRY AND Co., of 116 Lichfield Street, Christchurch, in the Dominion of New Zealand.

No. of class : 38.

Description of goods : Ready-made clothing.

No. of application : 8276.  
Date : 28th September, 1909.

TRADE MARK.

**LYPSYL.**

NAME.

VINOLIA COMPANY, LIMITED, of 41A Upper Thames Street, London, England, Manufacturers.

No. of class : 48.

Description of goods : Toilet preparations.

J. C. LEWIS,  
Registrar.

## Trade Marks registered.

**L**IST of Trade Marks registered from the 18th September to the 2nd October, 1909, inclusive:—

- No. 6372/8053.—A. Waller and Co. Class 3. (*Gazette* No. 59, of the 15th July, 1909.)  
 No. 6373/7984.—Continental C. and G. Rubber Company Proprietary, Limited. Class 40. (*Gazette* No. 45, of the 4th June, 1909.)  
 No. 6374/8013.—Continental C. and G. Rubber Company Proprietary, Limited. Class 49. (*Gazette* No. 45, of the 4th June, 1909.)  
 No. 6375/7920.—H. Akhurst. Class 50. (*Gazette* No. 34, of the 22nd April, 1909.)  
 No. 6376/7846.—The Standardised Disinfectants Company, Limited. Class 2. (*Gazette* No. 21, of the 11th March, 1909.)  
 No. 6377/7626.—“E.C.” Powder Company, Limited. Class 20. (*Gazette* No. 12, of the 11th February, 1909.)  
 No. 6378/7627.—“E.C.” Powder Company, Limited. Class 20. (*Gazette* No. 12, of the 11th February, 1909.)  
 No. 6379/7655.—Gillette Safety Razor Company. Class 48. (*Gazette* No. 94, of the 26th November, 1908.)  
 No. 6380/7656.—Gillette Safety Razor Company. Class 50. (*Gazette* No. 94, of the 26th November, 1908.)  
 No. 6381/7665.—Whitfield's Bedsteads, Limited. Class 41. (*Gazette* No. 94, of the 26th November, 1908.)  
 No. 6382/7680.—J. Dewsbury and Son. Class 13. (*Gazette* No. 100, of the 10th December, 1908.)  
 No. 6383/7701.—Bernese Chocolate Works (Tobler and Co., Limited). Class 42. (*Gazette* No. 24, of the 25th March, 1909.)  
 No. 6384/7712.—Cooney's Manufacturing Company, Limited. Class 50. (*Gazette* No. 100, of the 10th December, 1908.)  
 No. 6385/7730.—Chiswick Soap Company. Class 50. (*Gazette* No. 7, of the 28th January, 1909.)  
 No. 6386/7757.—Colgate and Co. Class 48. (*Gazette* No. 4, of the 14th January, 1909.)  
 No. 6387/7781.—E. T. Marler. Class 39. (*Gazette* No. 7, of the 28th January, 1909.)  
 No. 6388/7802.—Paraffine Paint Company. Class 17. (*Gazette* No. 24, of the 25th March, 1909.)  
 No. 6389/7823.—Old Bleach Linen Company, Limited. Class 27. (*Gazette* No. 12, of the 11th February, 1909.)  
 No. 6390/7848.—Brown Bros., Limited. Class 13. (*Gazette* No. 21, of the 11th March, 1909.)  
 No. 6391/7849.—Forestal Land, Timber, and Railways Company, Limited. Class 4. (*Gazette* No. 21, of the 11th March, 1909.)  
 No. 6392/7871.—Hamilton and Co. (London), Limited. Class 50. (*Gazette* No. 24, of the 25th March, 1909.)  
 No. 6393/7878.—H. A. Francis, Limited. Class 31. (*Gazette* No. 24, of the 25th March, 1909.)  
 No. 6394/7879.—Marnola Company. Class 3. (*Gazette* No. 24, of the 25th March, 1909.)  
 No. 6395/7974.—Phelps, Wilson, and Co. Class 34. (*Gazette* No. 41, of the 20th May, 1909.)  
 No. 6396/8022.—Pearson and Knowles Coal and Iron Company, Limited. Class 5. (*Gazette* No. 51, of the 17th June, 1909.)  
 No. 6397/8023.—Pearson and Knowles Coal and Iron Company, Limited. Class 5. (*Gazette* No. 51, of the 17th June, 1909.)

No. 6398/8024.—Pearson and Knowles Coal and Iron Company, Limited. Class 5. (*Gazette* No. 51, of the 17th June, 1909.)

No. 6399/8055.—Hawke's Bay Meat Curing Company, Limited. Class 42. (*Gazette* No. 59, of the 15th July, 1909.)

No. 6400/8079.—Bowsfield Steel Company, Limited. Class 5. (*Gazette* No. 59, of the 15th July, 1909.)

No. 6401/8080.—Bowsfield Steel Company, Limited. Class 5. (*Gazette* No. 59, of the 15th July, 1909.)

No. 6402/8081.—Bowsfield Steel Company, Limited. Class 5. (*Gazette* No. 59, of the 15th July, 1909.)

## Trade Mark Renewal Fees paid.

**F**EEES paid for the renewal of the undermentioned Trade Marks for fourteen years from the date first mentioned:—

No. 1566/1269.—18th November, 1909.—Heather, Robertson, and Co., Auckland, N.Z. Class 42. 20th September, 1909.

No. 1626/1338.—29th January, 1910.—The Hawera Co-operative Dairy Factory Company, Limited, Hawera, N.Z. Class 42. 1st October, 1909.

## Trade Marks removed from the Register.

**T**RADe Marks removed from the Register owing to the non-payment of the renewal fee, from the 18th to the 30th September, 1909, inclusive:—

No. 1452/1156.—19th June, 1895.—Sharland and Co., Limited, of Auckland, N.Z. Class 42.

No. 1453/1341.—20th June, 1895.—G. T. Smyth, of Invercargill, N.Z. Class 42.

## Trade Mark Registration cancelled.

**T**HE entry on the Register in respect of the following trade mark has been cancelled:—

No. 7058/5549.—H. and W. Grear. (Application and registration advertised respectively in Supplements to *New Zealand Gazette*, No. 105, of the 12th December, 1907, and No. 21, of the 19th March, 1908.)

## Request for Amendment of Trade Mark Application.

No. 8108.—T. H. Green and Co. (Advertised in Supplement to *New Zealand Gazette*, No. 63, of the 29th July, 1909.)

To amend the statement of goods in the application by restricting such statement to “Dried Fruits.”

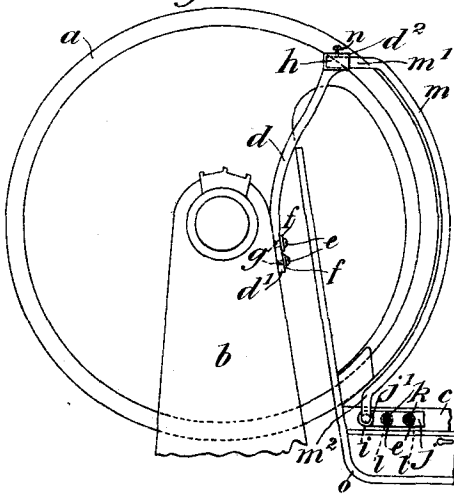
By Authority: JOHN MACKAY, Government Printer, Wellington



# ILLUSTRATIONS OF INVENTIONS.

[These illustrations refer to the complete specifications accepted, and advertised in this *Gazette*.]

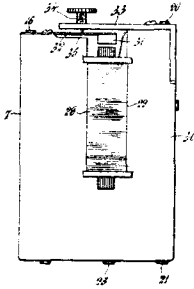
Fig. 1.



Meat-slicer.

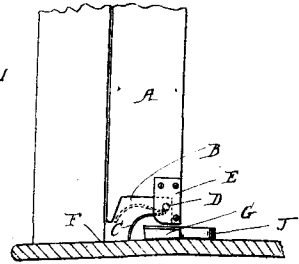
Maatschappij tot vervaardiging van snijmachines volgens "Van Berkel's Patent," en van andere werktuigen. (A. Roest.) 24533.

FIG. 3.



Electro-surgical Appliance. Rowe and Stenhouse. 24895.

FIG. 1.



Draught-excluder. Woolley. 24960.

FIG. 4.

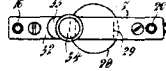


FIG. 1.

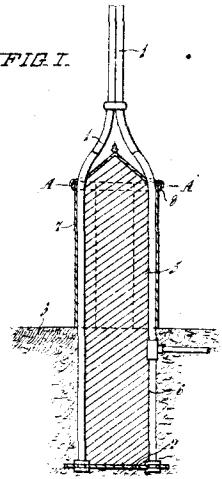
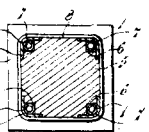


FIG. 2.



Lamp-pillar. Hursthouse. 25107.

Fig. 1.

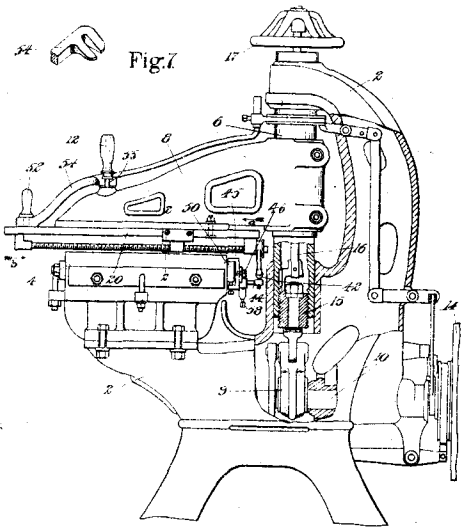
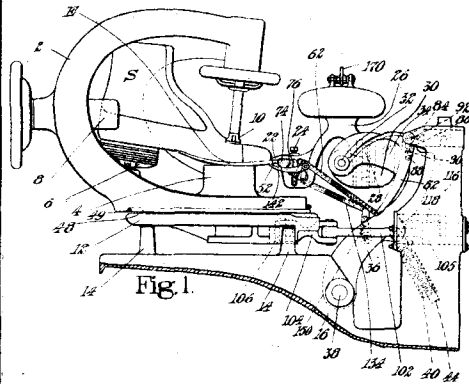


Fig. 1.

Press-bed Resurfacer. United Shoe Machinery Company. (Bates.) 25200.

Fig. 1.



Tool and Work Controller. United Shoe Machinery Company. (Keall.) 25201.

FIG. 1.

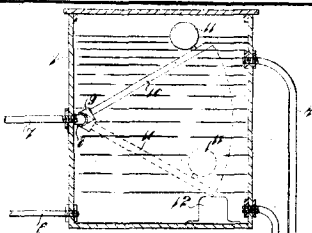
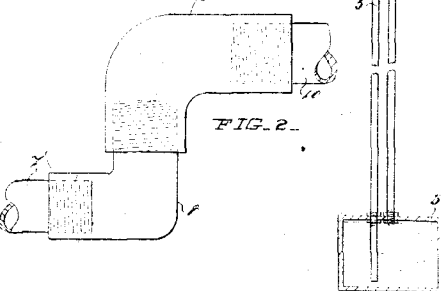
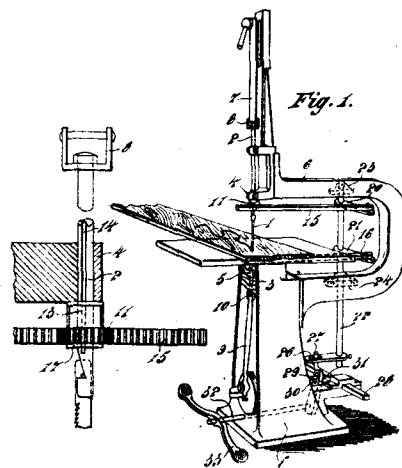


FIG. 2.



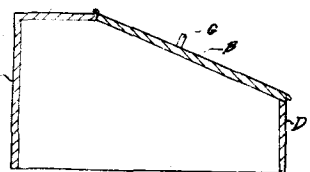
Hot-water Service Draw-off. Stubbs. 25207.

Fig. 1.



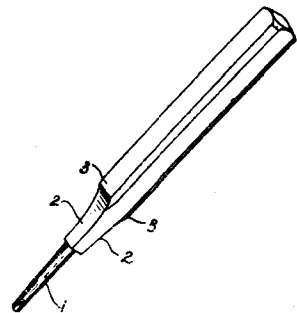
Saw-gig. Fraser. 25326.

FIG. 3.

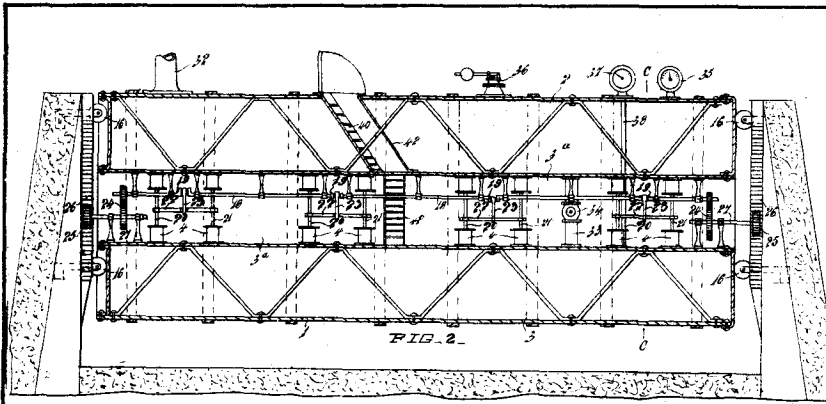


Laundry-iron Heater. Brandon. 25505.

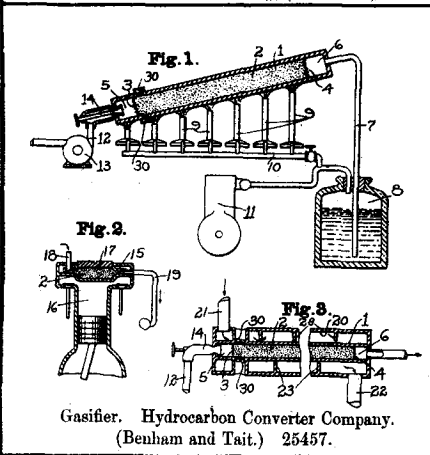
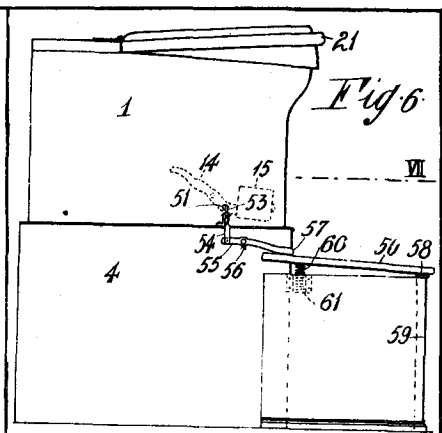
FIG. 1.



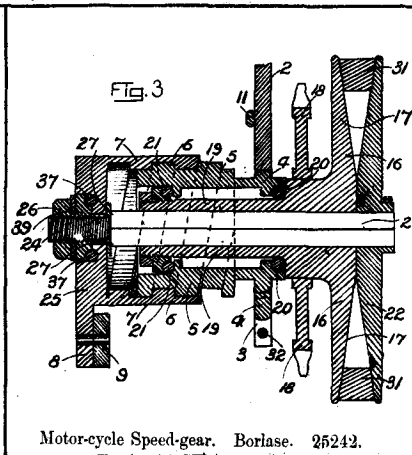
Nail-punch. Corry and Alley. 25330.



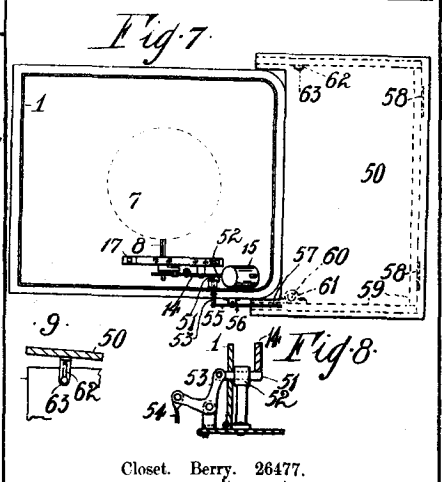
Tidal-air Compressor. Brooks. 25276



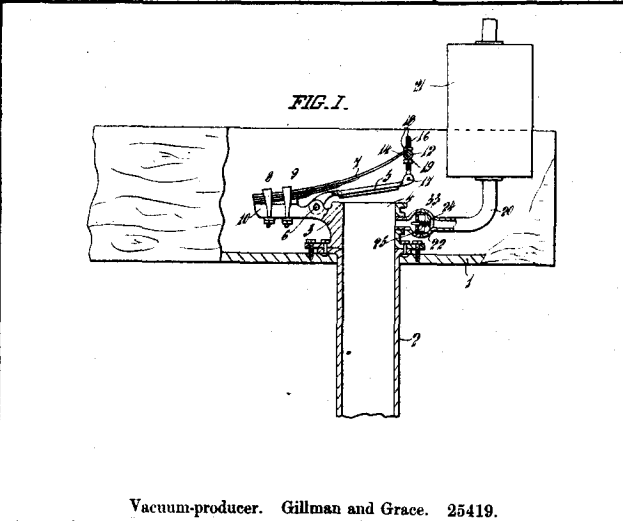
Gasifier. Hydrocarbon Converter Company. (Benham and Tait.) 25457.



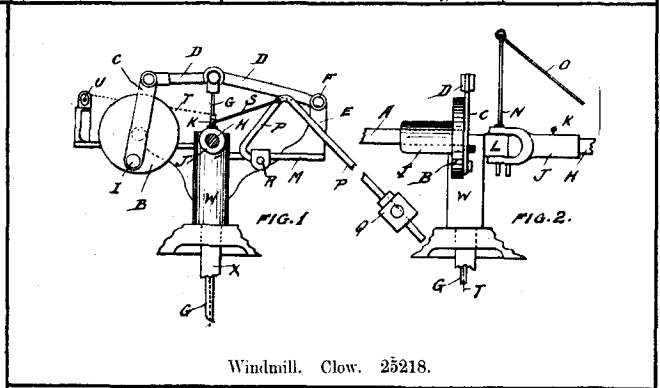
Motor-cycle Speed-gear. Borlase. 25242.



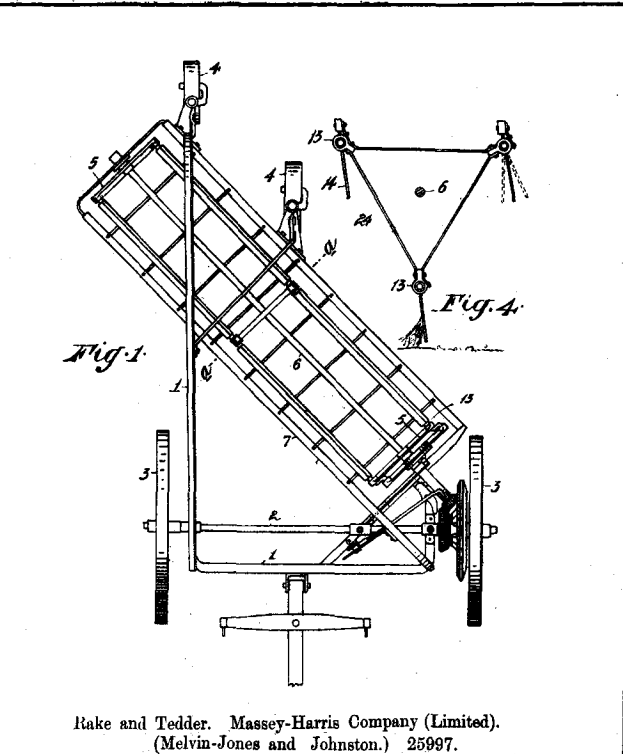
Closet. Berry. 26477.



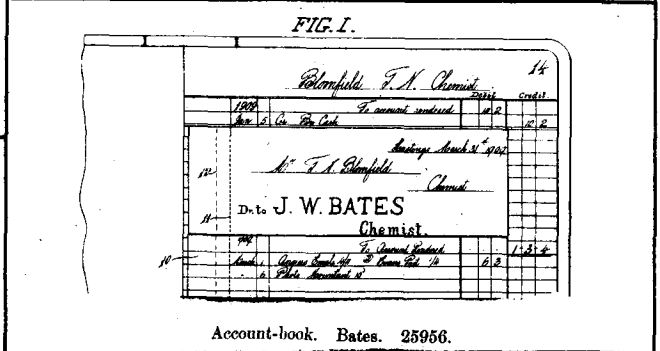
Vacuum-producer. Gillman and Grace. 25419.



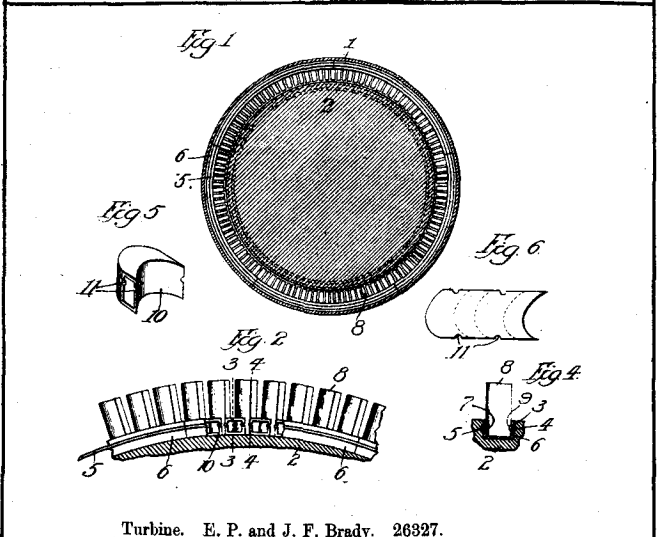
Windmill. Clow. 25218.



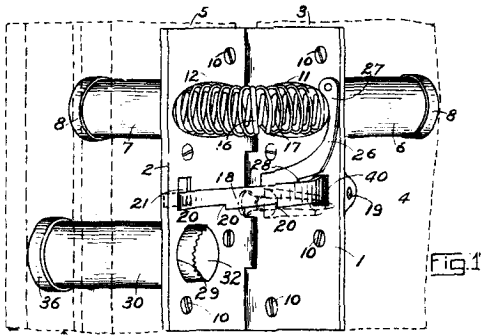
Rake and Tedder. Massey-Harris Company (Limited). (Melvin-Jones and Johnston.) 25997.



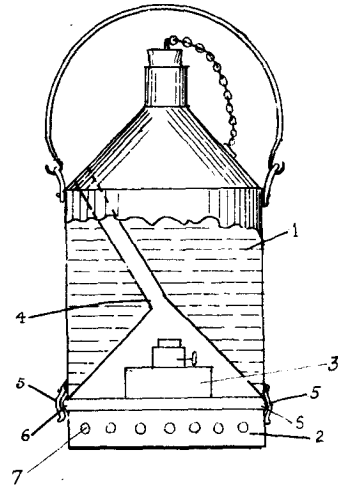
Account-book. Bates. 25956.



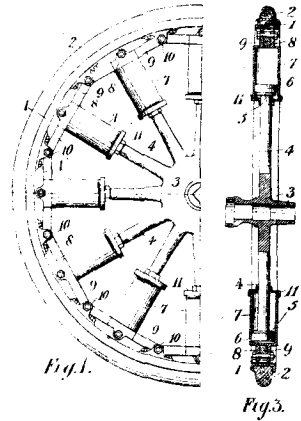
Turbine. E. P. and J. F. Brady. 26327.



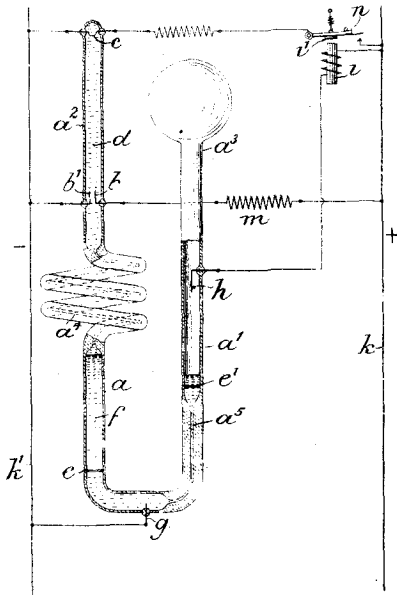
Door-closer. Duggan. 25578.



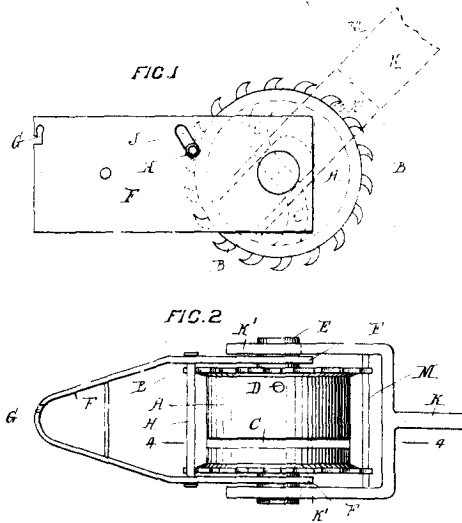
Tea-can. Griffin. 26201.



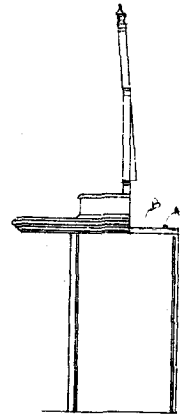
Wheel. Hill and Baque. 26150.



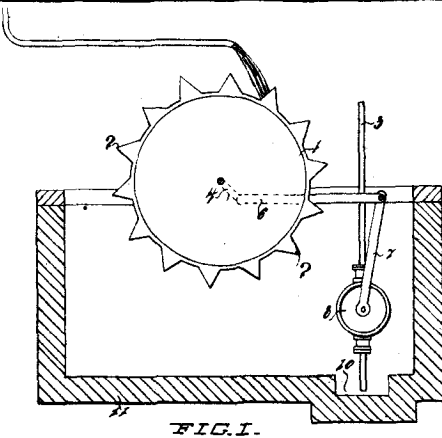
Electrolytic Device for Meter, &c. Thorpe. 26153.



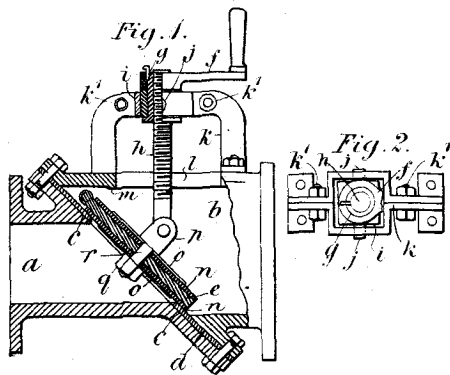
Wire-strainer. Cleaver and Hutton. 26372.



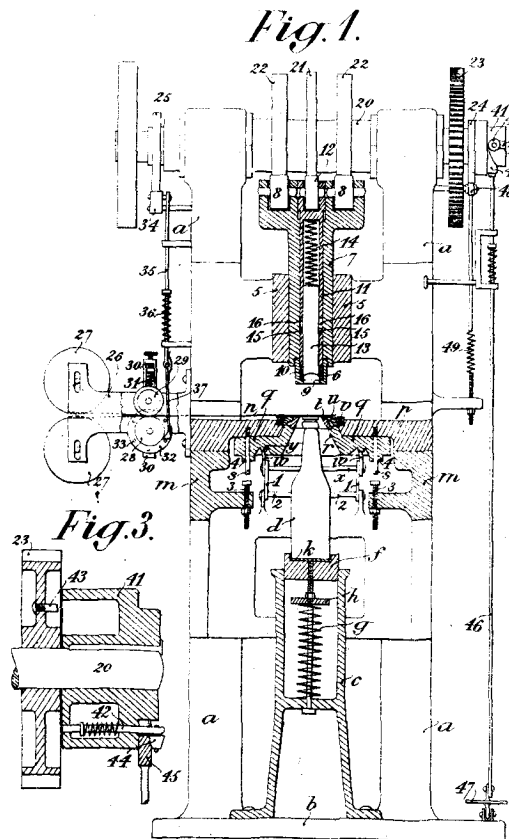
Dressing-table. Martyn. 26529.



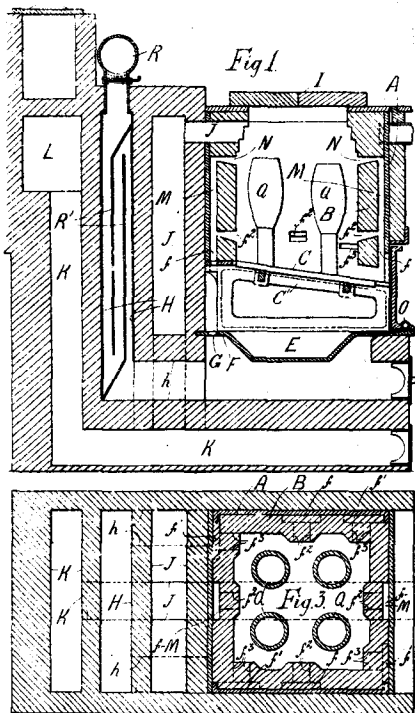
Water-raiser. Lyons. 26427.



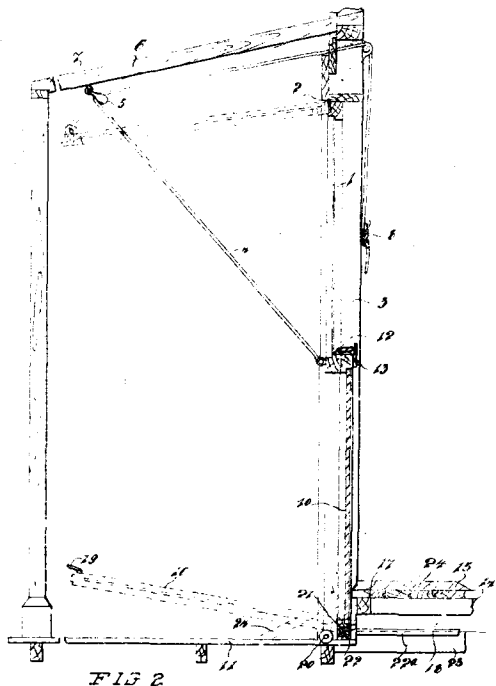
Valve. Waters. (Stewarts and Lloyds (Limited).—Masters.) 26368.



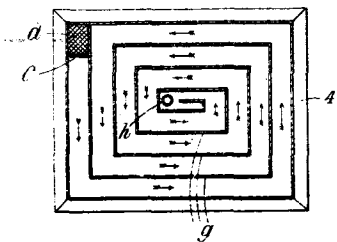
Bottle-capsuling Machine. Lassen. 26466.



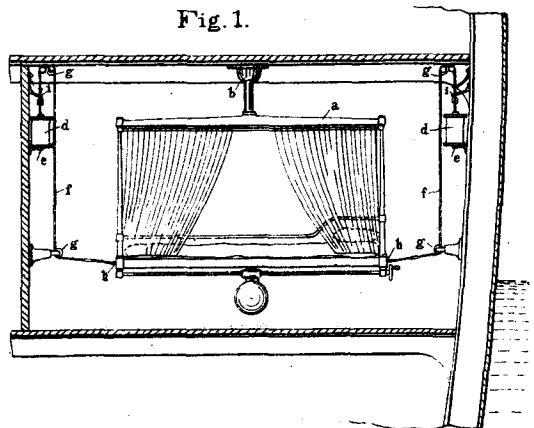
Crucible-furnace. Miller. 26367.



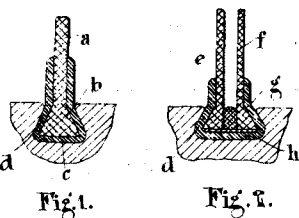
Window. Clere. 26461.



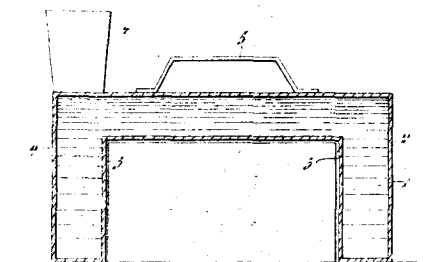
Carburettor. Blakey. 26383.



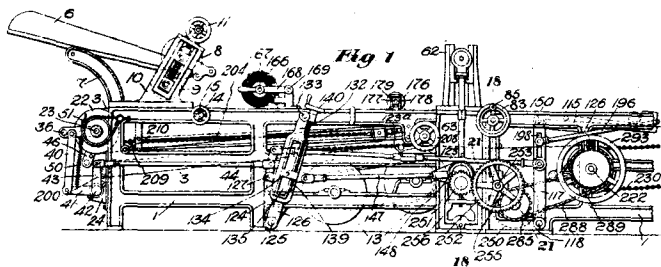
Ship's Cot, &c. Anne of Lowenstein Wertheim. 26464.



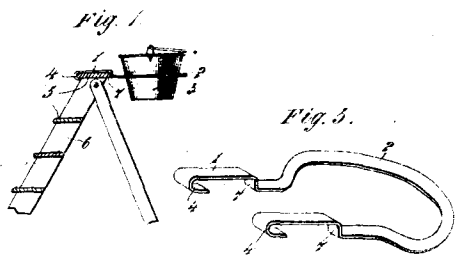
Dynamo. Parsous. 26384.



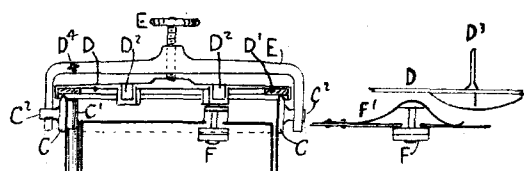
Butter Cooler and Warmer. Heffron. 26377.



Biscuit-machine. Green. 25798.



Ladder-bracket Bucket-holder. Parton. 26498.



Acetylene-generator Valve Mechanism. Thomson and Dyer. 26467.